

## Filter | BG5



Image shows:  
9.1154.00.350.0V

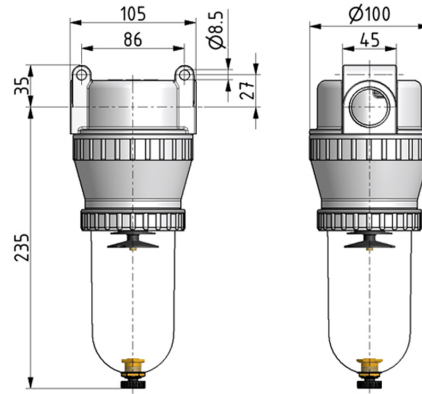


Image shows:  
9.1154.00.350.0V

Service 3 unit

Service 2 unit

Filter regulator

Filter

Pressure regulator

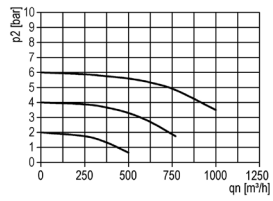
Lubricator

System extensions

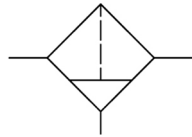
Accessories

Special products

### flow characteristic



### symbol



### technical data

- **description:** sinter filter centrifugal principle
- **medium:** compressed air, neutral gases
- **supply pressure P1 min.:** 1,5 bar
- **supply pressure P1 max.:** 16 bar
- **temperature range:** -10°C - +60°C
- **bowl:** PC
- **drain:** HA3
- **mounting:** vertical
- **filter element:** 40 µm

### accessories

type	part-number	description
DF.54 HA3	9.1154.00.350.0V	Filter G3/4 40µm with PC bowl and semi automatic drain
DF.54 M HA3	9.1154.00.352.0V	Filter G3/4 40µm with metal bowl and semi automatic drain
DF.54 HA3 B	9.1154.00.353.0V	Filter G3/4 40µm with PC bowl, bowl guard and semi automatic drain
DF.54 AM10	9.1154.00.400.0V	Filter G3/4 40µm with PC bowl and automatic drain
DF.54 M AM10	9.1154.00.402.0	Filter G3/4 40µm with metal bowl and automatic drain
DF.54 AM10 B	9.1154.00.403.0V	Filter G3/4 40µm with PC bowl, bowl guard and automatic drain
DF.55 HA3	9.1155.00.350.0V	Filter G1 40µm with PC bowl and semi automatic drain
DF.55 M HA3	9.1155.00.352.0V	Filter G1 40µm with metal bowl and semi automatic drain
DF.55 HA3 B	9.1155.00.353.0V	Filter G1 40µm with PC bowl, bowl guard and semi automatic drain
DF.55 AM10	9.1155.00.400.0V	Filter G1 40µm with PC bowl and automatic drain
DF.55 M AM10	9.1155.00.402.0	Filter G1 40µm with metal bowl and automatic drain
DF.55 AM10 B	9.1155.00.403.0V	Filter G1 40µm with PC bowl, bowl guard and automatic drain

Service 3 unit

Service 2 unit

Filter regulator

Filter

Pressure regulator

Lubricator

System extensions

Accessories

Special products