

Filter | BG5

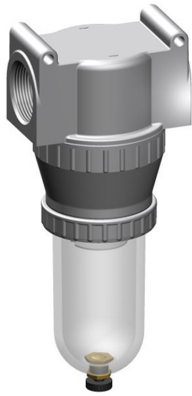


Image shows:
9.1156.00.350.0V

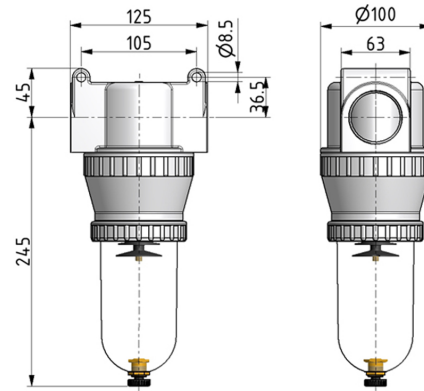
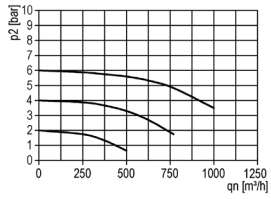
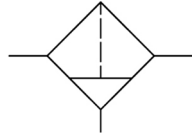


Image shows:
9.1156.00.350.0V

flow characteristic



symbol



technical data

- **description:** sinter filter centrifugal principle
- **medium:** compressed air, neutral gases
- **supply pressure P1 min.:** 1,5 bar
- **supply pressure P1 max.:** 16 bar
- **temperature range:** -10°C - +60°C
- **owl:** PC
- **drain:** HA3
- **mounting:** vertical
- **filter element:** 40 μ m

accessories

Service 3 unit

Service 2 unit

Filter regulator

Filter

Pressure regulator

Lubricator

System extensions

Accessories

Special products

type	part-number	description
DF.56 HA3	9.1156.00.350.0V	Filter G1 1/4 40µm with PC bowl and semi automatic drain
DF.56 M HA3	9.1156.00.352.0V	Filter G1 1/4 40µm with metal bowl and semi automatic drain
DF.56 HA3 B	9.1156.00.353.0V	Filter G1 1/4 40µm with PC bowl, bowl guard and semi automatic drain
DF.56 AM10	9.1156.00.400.0V	Filter G1 1/4 40µm with PC bowl and automatic drain
DF.56 M AM10	9.1156.00.402.0V	Filter G1 1/4 40µm with metal bowl and automatic drain
DF.56 AM10 B	9.1156.00.403.0V	Filter G1 1/4 40µm with PC bowl, bowl guard and automatic drain
DF.57 HA3	9.1157.00.350.0V	Filter G1 1/2 40µm with PC bowl and semi automatic drain
DF.57 M HA3	9.1157.00.352.0V	Filter G1 1/2 40µm with metal bowl and semi automatic drain
DF.57 HA3 B	9.1157.00.353.0V	Filter G1 1/2 40µm with PC bowl, bowl guard and semi automatic drain
DF.57 AM10	9.1157.00.400.0V	Filter G1 1/2 40µm with PC bowl and automatic drain
DF.57 M AM10	9.1157.00.402.0	Filter G1 1/2 40µm with metal bowl and automatic drain
DF.57 AM10 B	9.1157.00.403.0V	Filter G1 1/2 40µm with PC bowl, bowl guard and automatic drain

Service 3 unit

Service 2 unit

Filter regulator

Filter

Pressure regulator

Lubricator

System extensions

Accessories

Special products