

Filter | BG8



Image shows:
9.1186.00.350.0V

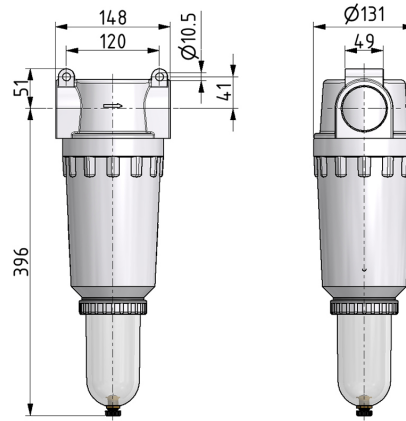
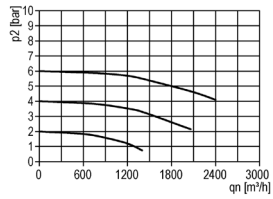
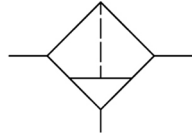


Image shows:
9.1186.00.350.0V

flow characteristic



symbol



technical data

- **description:** sinter filter centrifugal principle
- **medium:** compressed air, neutral gases
- **supply pressure P1 min.:** 1,5 bar
- **supply pressure P1 max.:** 16 bar
- **temperature range:** -10°C - +60°C
- **owl:** PC
- **drain:** HA3
- **mounting:** vertical
- **filter element:** 60 μm

accessories

Service 3 unit

Service 2 unit

Filter regulator

Filter

Pressure regulator

Lubricator

System extensions

Accessories

Special products

type	part-number	description
DF.86 HA3	9.1186.00.350.0V	Filter G1 1/4 60µm with PC bowl and semi automatic drain
DF.86 M HA3	9.1186.00.352.0V	Filter G1 1/4 60µm with metal bowl and semi automatic drain
DF.86 AM10	9.1186.00.400.0V	Filter G1 1/4 60µm with PC bowl and automatic drain
DF.87 HA3	9.1187.00.350.0V	Filter G1 1/2 60µm with PC bowl and semi automatic drain
DF.87 M HA3	9.1187.00.352.0V	Filter G1 1/2 60µm with metal bowl and semi automatic drain
DF.87 HA3 B	9.1187.00.353.0V	Filter G1 1/2 60µm with PC bowl, bowl guard and semi automatic drain
DF.87 AM10	9.1187.00.400.0V	Filter G1 1/2 60µm with PC bowl and automatic drain
DF.87 M AM10	9.1187.00.402.0V	Filter G1 1/2 60µm with metal bowl and automatic drain
DF.87 AM10 B	9.1187.00.403.0V	Filter G1 1/2 60µm with PC bowl, bowl guard and automatic drain
DF.88 HA3	9.1188.00.350.0V	Filter G2 60µm with PC bowl and semi automatic drain
DF.88 M HA3	9.1188.00.352.0V	Filter G2 60µm with metal bowl and semi automatic drain
DF.88 HA3 B	9.1188.00.353.0V	Filter G2 60µm with PC bowl, bowl guard and semi automatic drain
DF.88 AM10	9.1188.00.400.0V	Filter G2 60µm with PC bowl and automatic drain
DF.88 M AM10	9.1188.00.402.0V	Filter G2 60µm with metal bowl and automatic drain
DF.88 AM10 B	9.1188.00.403.0V	Filter G2 60µm with PC bowl, bowl guard and automatic drain

Service 3 unit

Service 2 unit

Filter regulator

Filter

Pressure regulator

Lubricator

System extensions

Accessories

Special products