

Filter | BG9



Image shows:
9.1198.00.102.0

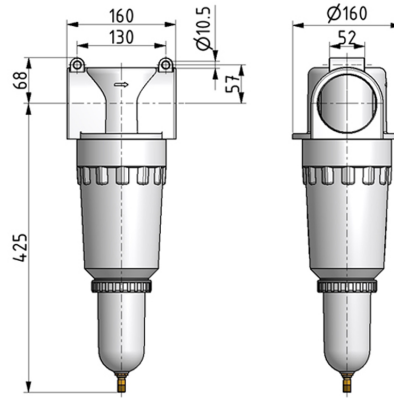
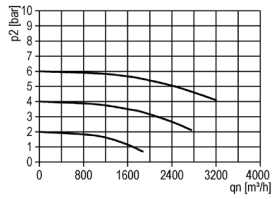
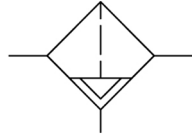


Image shows:
9.1198.00.102.0

flow characteristic



symbol



technical data

- **description:** sinter filter centrifugal principle
- **medium:** compressed air, neutral gases
- **supply pressure P1 min.:** 1,5 bar
- **supply pressure P1 max.:** 16 bar
- **temperature range:** -10°C - +60°C
- **bowl:** metal bowl
- **drain:** AM NO
- **mounting:** vertical
- **filter element:** 8 µm

accessories

Service 3 unit

Service 2 unit

Filter regulator

Filter

Pressure regulator

Lubricator

System extensions

Accessories

Special products

type	part-number	description
DF.98 M AM10	9.1198.00.102.0	Filter G2 1/2 8µm with metal bowl and automatic drain
DF.98 HA3	9.1198.00.350.0V	Filter G2 1/2 60µm with PC bowl and semi automatic drain
DF.98 M HA3	9.1198.00.352.0	Filter G2 1/2 60µm with metal bowl and semi automatic drain
DF.98 AM10	9.1198.00.400.0	Filter G2 1/2 60µm with PC bowl and automatic drain
DF.99 HA3	9.1199.00.350.0V	Filter G3 60µm with PC bowl and semi automatic drain
DF.99 M HA3	9.1199.00.352.0	Filter G3 60µm with metal bowl and semi automatic drain
DF.99 AM10	9.1199.00.400.0	Filter G3 60µm with PC bowl and automatic drain

Service 3 unit

Service 2 unit

Filter regulator

Filter

Pressure regulator

Lubricator

System extensions

Accessories

Special products