

Lubricator | BGO



Image shows:
9.2300.00.000.0V

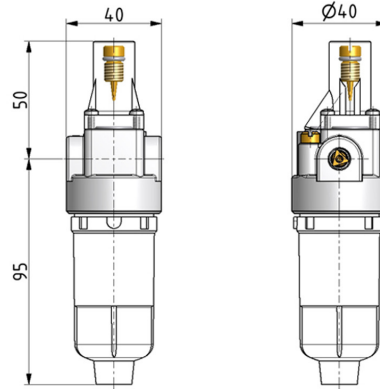
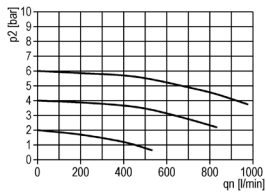
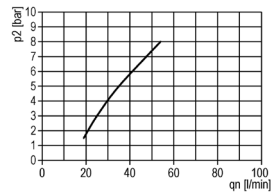


Image shows:
9.2300.00.000.0V

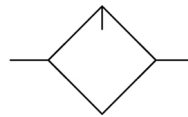
flow characteristic



lubricator operating limit



symbol



technical data

- description:** proportional lubricator
- medium:** compressed air, neutral gases
- supply pressure P1 max.:** 16 bar
- temperature range:** -10°C - +60°C
- bowl:** PC
- mounting:** vertical
- bowl volume lubricator:** 17 cm³
- oil type:** CL 32 DIN 51517 - ISO VG 32
- dome assembly:** PC
- oil fill in:** can be filled with oil during operation

accessories

type	part-number	description
DO.00	9.2300.00.000.0V	Lubricator G1/8 with PC bowl
DO.00 M	9.2300.00.002.0V	Lubricator G1/8 with metal bowl
DO.01	9.2301.00.000.0V	Lubricator G1/4 with PC bowl
DO.01 M	9.2301.00.002.0V	Lubricator G1/4 with metal bowl

Service 3 unit

Service 2 unit

Filter regulator

Filter

Pressure regulator

Lubricator

System extensions

Accessories

Special products