

Lubricator | BG1



Image shows:
9.2311.00.000.0V

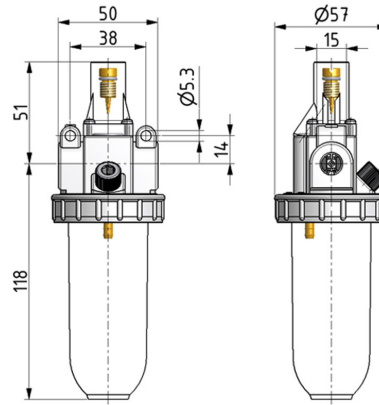
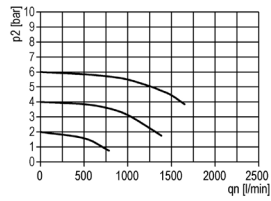
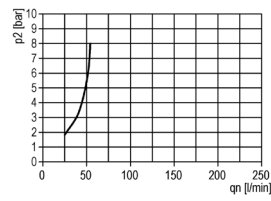


Image shows:
9.2311.00.000.0V

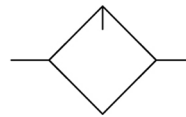
flow characteristic



lubricator operating limit



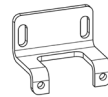
symbol



technical data

- description:** proportional lubricator
- medium:** compressed air, neutral gases
- supply pressure P1 max.:** 16 bar
- temperature range:** -10°C - +60°C
- bowl:** PC
- mounting:** vertical
- bowl volume lubricator:** 40 cm³
- oil type:** CL 32 DIN 51517 - ISO VG 32
- dome assembly:** PC
- oil fill in:** can be filled with oil during operation

accessories



mounting bracket: [ZW.10](#)

electrical level indicator
(version addition: N)

type	part-number	description
DO.11	9.2311.00.000.0V	Lubricator G1/4 with PC bowl
DO.11 M	9.2311.00.0021.V	Lubricator G1/4 with metal bowl and metal dome
DO.11 B	9.2311.00.003.0V	Lubricator G1/4 with PC bowl and bowl guard
DO.12	9.2312.00.000.0V	Lubricator G3/8 with PC bowl
DO.12 M	9.2312.00.0021.V	Lubricator G3/8 with metal bowl and metal dome
DO.12 B	9.2312.00.003.0V	Lubricator G3/8 with PC bowl and bowl guard