

# Lubricator | BG2



Image shows:  
9.2322.00.000.0V

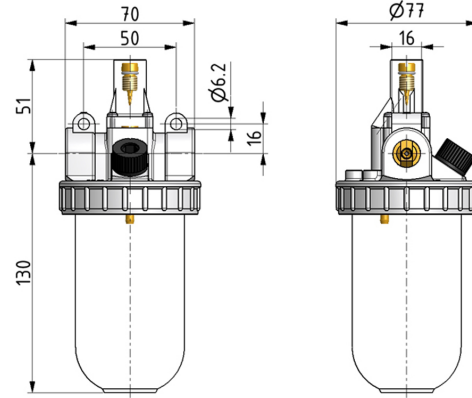
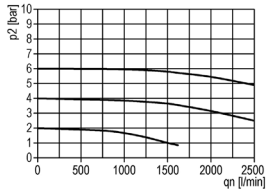
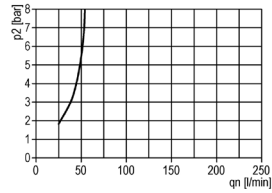


Image shows:  
9.2322.00.000.0V

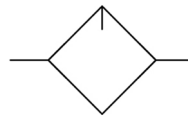
### flow characteristic



### lubricator operating limit



### symbol



### technical data

**description:** proportional lubricator  
**medium:** compressed air, neutral gases  
**supply pressure P1 max.:** 16 bar  
**temperature range:** -10°C - +60°C  
**bowl:** PC  
**mounting:** vertical  
**bowl volume lubricator:** 110 cm<sup>3</sup>  
**oil type:** CL 32 DIN 51517 - ISO VG 32  
**dome assembly:** PC  
**oil fill in:** can be filled with oil during operation

### accessories



type	part-number	description
DO.22	9.2322.00.000.0V	Lubricator G3/8 with PC bowl
DO.22 M	9.2322.00.002.0V	Lubricator G3/8 with metal bowl
DO.22 B	9.2322.00.003.0V	Lubricator G3/8 with PC bowl and bowl guard
DO.23	9.2323.00.000.0V	Lubricator G1/2 with PC bowl
DO.23 M	9.2323.00.002.0V	Lubricator G1/2 with metal bowl
DO.23 B	9.2323.00.003.0V	Lubricator G1/2 with PC bowl and bowl guard

Service 3 unit

Service 2 unit

Filter regulator

Filter

Pressure regulator

Lubricator

System extensions

Accessories

Special products