

Lubricator | BG3



Image shows:
9.2334.00.000.0V

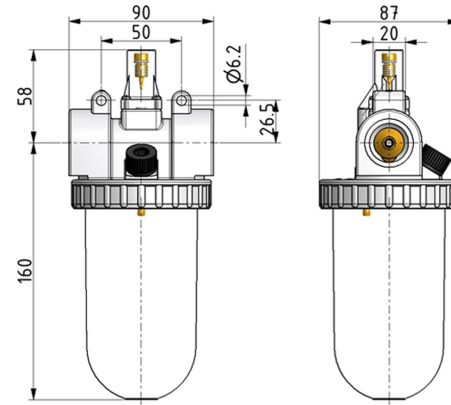
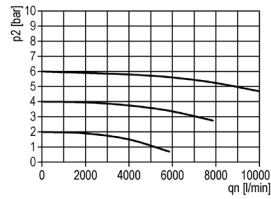
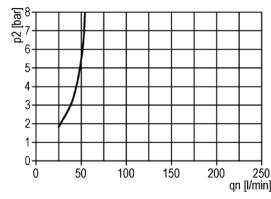


Image shows:
9.2334.00.000.0V

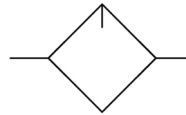
flow characteristic



lubricator operating limit



symbol



technical data

- description:** proportional lubricator
- medium:** compressed air, neutral gases
- supply pressure P1 max.:** 16 bar
- temperature range:** -10°C - +60°C
- bowl:** PC
- mounting:** vertical
- bowl volume lubricator:** 135 cm³
- oil type:** CL 32 DIN 51517 - ISO VG 32
- dome assembly:** PC
- oil fill in:** can be filled with oil during operation

accessories



mounting bracket: [ZW.30](#)

electrical level indicator
(version addition: N)

type	part-number	description
DO.34	9.2334.00.000.0V	Lubricator G3/4 with PC bowl
DO.34 M	9.2334.00.002.0V	Lubricator G 3/4 with metal bowl
DO.34 B	9.2334.00.003.0V	Lubricator G 3/4 with metal bowl and bowl guard
DO.35	9.2335.00.000.0V	Lubricator G1 with PC bowl
DO.35 M	9.2335.00.002.0V	Lubricator G1 with metal bowl
DO.35 B	9.2335.00.003.0V	Lubricator G1 with PC bowl and bowl guard

Service 3 unit

Service 2 unit

Filter regulator

Filter

Pressure regulator

Lubricator

System extensions

Accessories

Special products