

Lubricator | BG5

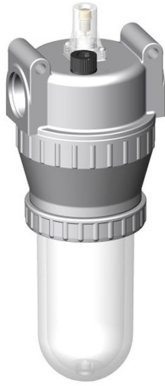


Image shows:
9.2354.00.000.0V

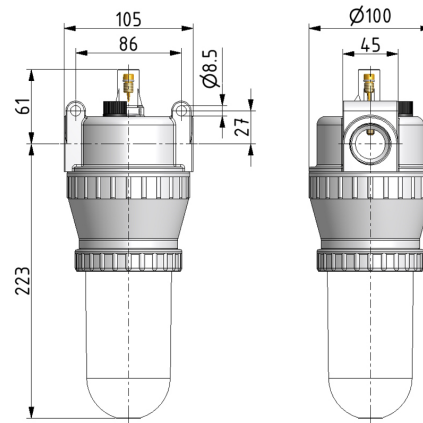
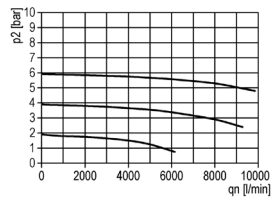
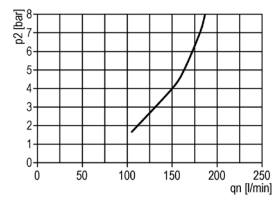


Image shows:
9.2354.00.000.0V

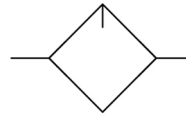
flow characteristic



lubricator operating limit



symbol



technical data

- **description:** proportional lubricator
- **medium:** compressed air, neutral gases
- **supply pressure P1 max.:** 16 bar
- **temperature range:** -10°C - +60°C
- **bowl:** PC
- **mounting:** vertical
- **bowl volume lubricator:** 550 cm³
- **oil type:** CL 32 DIN 51517 - ISO VG 32
- **dome assembly:** PC
- **oil fill in:** can be filled with oil during operation

accessories

- electrical level indicator
(version addition: N)

Service 3 unit

Service 2 unit

Filter regulator

Filter

Pressure regulator

Lubricator

System extensions

Accessories

Special products

Service 3 unit

Service 2 unit

Filter regulator

Filter

Pressure regulator

Lubricator

System extensions

Accessories

Special products

type	part-number	description
DO.54	9.2354.00.000.0V	Lubricator G3/4 with PC bowl
DO.54 M	9.2354.00.002.01	Lubricator G3/4 with metal bowl and metal dome
DO.54 M/1,5L	9.2354.00.002.02	Lubricator G3/4 with metal bowl (long)
DO.54 B	9.2354.00.003.0V	Lubricator G3/4 with PC bowl and bowl guard
DO.55	9.2355.00.000.0V	Lubricator G1 with PC bowl
DO.55 M/1,5L	9.2355.00.002.02	Lubricator G1 with metal bowl (long)
DO.55 M	9.2355.00.00201V	Lubricator G1 with metal bowl and metal dome
DO.55 B	9.2355.00.003.0V	Lubricator G1 with PC bowl and bowl guard