

Lubricator | BG5

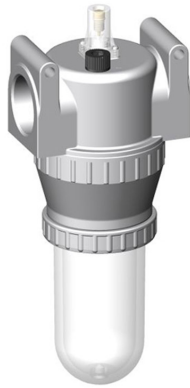


Image shows:
9.2357.00.000.0V

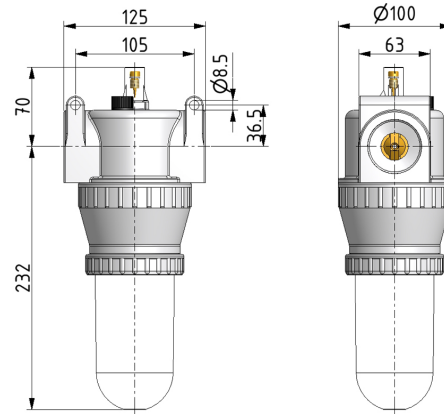
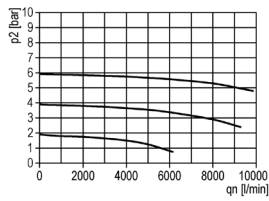
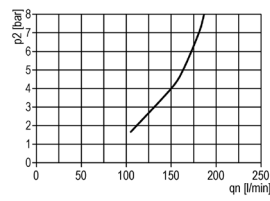


Image shows:
9.2357.00.000.0V

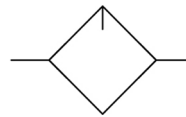
flow characteristic



lubricator operating limit



symbol



technical data

- description:** proportional lubricator
- medium:** compressed air, neutral gases
- supply pressure P1 max.:** 16 bar
- temperature range:** -10°C - +60°C
- bowl:** PC
- mounting:** vertical
- bowl volume lubricator:** 550 cm³
- oil type:** CL 32 DIN 51517 - ISO VG 32
- dome assembly:** PC
- oil fill in:** can be filled with oil during operation

accessories

electrical level indicator
(version addition: N)

type	part-number	description
DO.57	9.2357.00.000.0V	Lubricator G1 ½ with PC bowl
DO.57 M/1,5L	9.2357.00.002.02	Lubricator G1 ½ with metal bowl (long)
DO.57 M	9.2357.00.002.0V	Lubricator G1 ½ with metal bowl
DO.57 B	9.2357.00.003.0V	Lubricator G1 ½ with PC bowl and bowl guard