

Lubricator | BG8



Image shows:
9.2386.00.000.0V

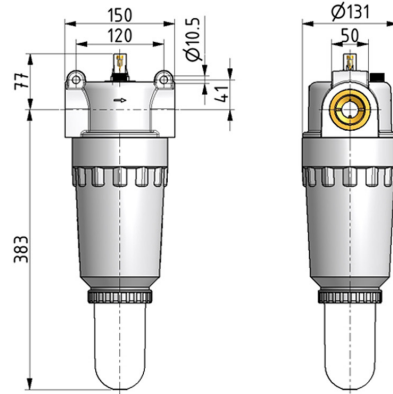
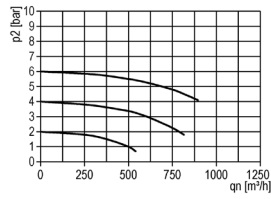
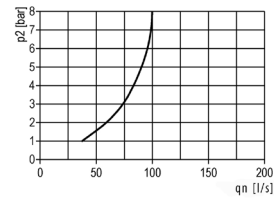


Image shows:
9.2386.00.000.0V

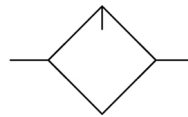
flow characteristic



lubricator operating limit



symbol



technical data

description: proportional lubricator
medium: compressed air, neutral gases
supply pressure P1 max.: 16 bar
temperature range: -10°C - +60°C
bowl: PC
mounting: vertical
bowl volume lubricator: 1700 cm³
oil type: CL 32 DIN 51517 - ISO VG 32
dome assembly: PC
oil fill in: can be filled with oil during operation

accessories

electrical level indicator
(version addition: N)

type	part-number	description
DO.86	9.2386.00.000.0V	Lubricator G1 1/4 with PC bowl
DO.87	9.2387.00.000.0V	Lubricator G1 1/2 with PC bowl
DO.87 M	9.2387.00.002.0V	Lubricator G1 1/2 with metal bowl
DO.88	9.2388.00.000.0V	Lubricator G2 with PC bowl
DO.88 M	9.2388.00.00201V	Lubricator G2 with metal bowl and metal dome
DO.88 B	9.2388.00.003.0V	Lubricator G2 with PC bowl and bowl guard

Service 3 unit

Service 2 unit

Filter regulator

Filter

Pressure regulator

Lubricator

System extensions

Accessories

Special products