

Mounting bracket| BG5

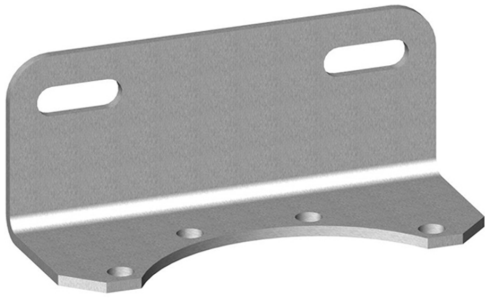


Image shows:
9.9955.00.010

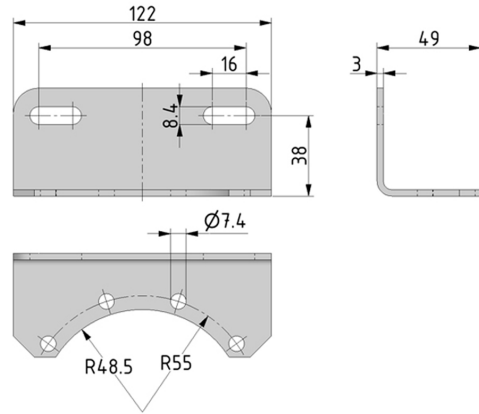


Image shows:
9.9955.00.010

Service 3 unit

Service 2 unit

Filter regulator

Filter

Pressure regulator

Lubricator

System extensions

Accessories

Special products

technical data

description: Mounting bracket
material: steel galvanized
fixing: mounting with 2 screws

accessories

type	part-number	description
BW.50	9.9955.00.010	Mounting bracket packed in a bag