

Mounting bracket for panel mounting BGO

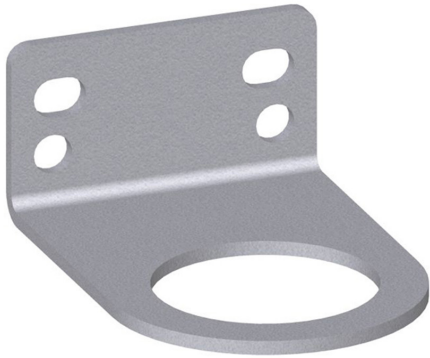


Image shows:
9.9911.00.024

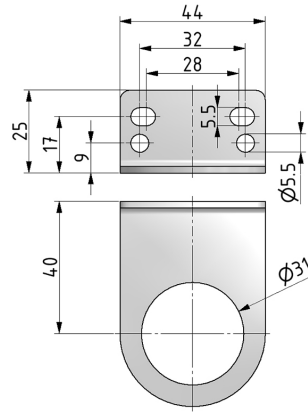


Image shows:
9.9911.00.024

Service 3 unit

Service 2 unit

Filter regulator

Filter

Pressure regulator

Lubricator

System extensions

Accessories

Special products

technical data

description: Mounting bracket for panel mounting
material: steel galvanized
fixing: control panel nut and 2 screws for fixation to wall

accessories

type	part-number	description
WH.M 30/DR.00-34	9.9911.00.024	Bracket galvanized and nut M30x1,5