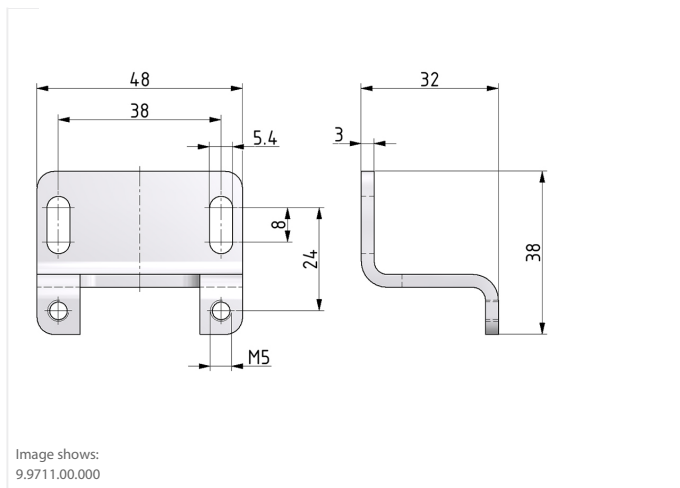
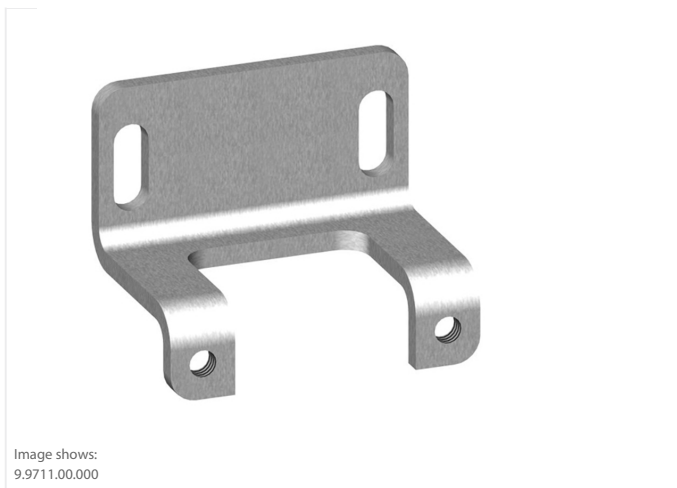


Bracket kit | BG1



technical data

description: Mounting bracket
material: steel galvanized
fixing: mounting with 2 screws

accessories

type	part-number	description
ZW.10	9.9711.00.000	Mounting bracket (ZW.10+2x screw M5x20 DIN84)

- Service 3 unit
- Service 2 unit
- Filter regulator
- Filter
- Pressure regulator
- Lubricator
- System extensions
- Accessories
- Special products