

## Bracket kit | BG2, BG3

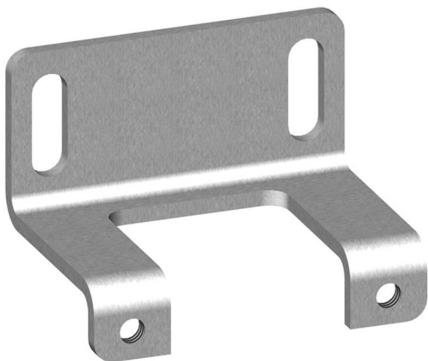


Image shows:  
9.9733.00.000

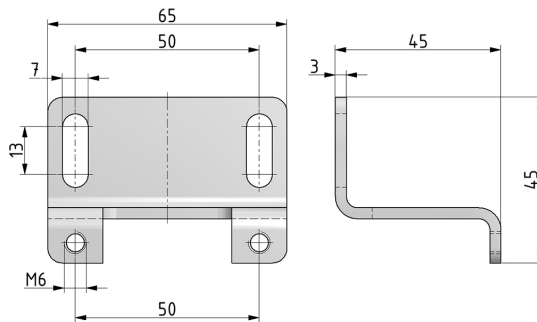


Image shows:  
9.9733.00.000

Service 3 unit

Service 2 unit

Filter regulator

Filter

Pressure regulator

Lubricator

System extensions

Accessories

Special products

### technical data

**description:** Mounting bracket  
**material:** steel galvanized  
**fixing:** mounting with 2 screws

### accessories

| type  | part-number   | description                                   |
|-------|---------------|---|
| ZW.30 | 9.9733.00.000 | Mounting bracket (ZW.30+2x screw M6x25 DIN84) |