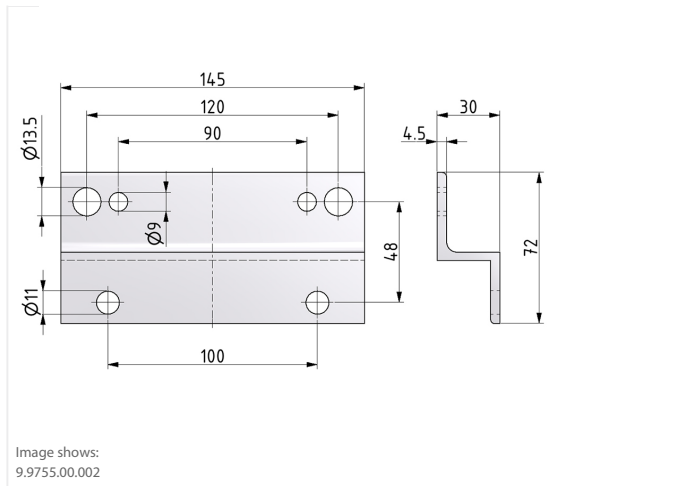
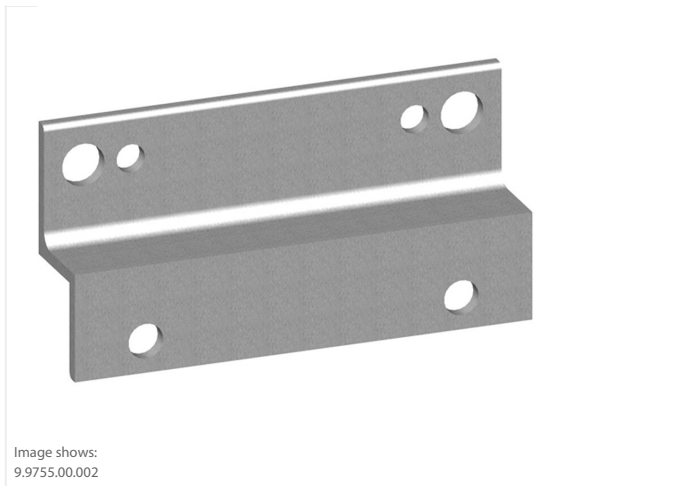


Bracket kit | ZFL.55



technical data

description: Mounting bracket
material: steel galvanized
fixing: mounting with 2 screws

accessories

type	part-number	description
ZFL.55-22	9.9755.00.002	Mounting bracket (ZFL.55-22+4x screw M10x25 DIN933+4x10 ISO7090)

Service 3 unit

Service 2 unit

Filter regulator

Filter

Pressure regulator

Lubricator

System extensions

Accessories

Special products