

Gauge | BG3, BG5, BG7



Image shows:
9.3700.00.243

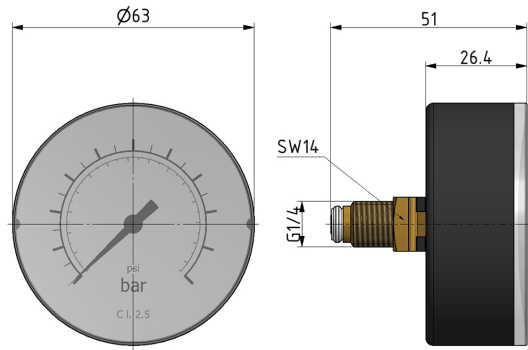


Image shows:
9.3700.00.243

Service 3 unit

Service 2 unit

Filter regulator

Filter

Pressure regulator

Lubricator

System extensions

Accessories

Special products

technical data

description: bourdon tube pressure gauge (EN 837-1), pressure connection on the back
temperature range: -10°C - +60°C
diameter: Ø63
scale ranges (EN 837-1): 0 - 16 bar
accuracy class: 2,5 (EN 837-1 /6)
case: black plastic
window: snap fit window of clear plastic
working pressure, steady: 0 - 12 bar
working pressure, fluctuating: 0 - 10,5 bar
temperature effect: when temperature of the pressure element deviates from reference temperature (+20°C): max. ±0,4%/10°C of the span

accessories

type	part-number	description
G 63.16 R	9.3700.00.243	Gauge G1/4 Knocks instrument dial light grey
G 63.25 R	9.3700.00.244	Gauge G1/4 Knocks instrument dial light grey
G 63.6 R	9.3700.00.245	Gauge G1/4 Knocks instrument dial light grey
G 63.10 R	9.3700.00.246	Gauge G1/4 Knocks instrument dial light grey