

## Filter silencer | --



Image shows:  
9.4033.00.700

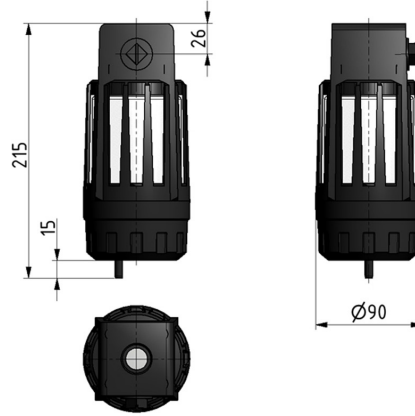
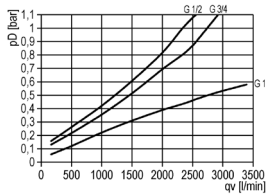
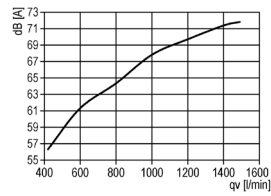


Image shows:  
9.4033.00.700

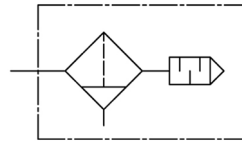
### flow characteristic



### noise expansion



### symbol



### technical data

**description:** 3 graduated coalescence filter  
**supply pressure P1 max.:** 10 bar  
**temperature range:** -10°C - +60°C  
**drain:** overflow for tube diameter inside ø6  
**mounting:** vertically, connection thread on the top and on the side  
**residual oil content:** 0,01 mg/m<sup>3</sup>  
**filter efficiency:** 99,99%  
**reduction of noise:** circa 40 dB (A) (at P1 = 5 bar; Q = 2000 l/min and 1 m distance)  
**filter change:** min. once in a year

### accessories

**Befestigungswinkel**  
**BFSD.55-3**

type	part-number	description
FSD.33	9.4033.00.700	Filter silencer G1/2
FSD.34	9.4034.00.700	Filter silencer G3/4

Service 3 unit

Service 2 unit

Filter regulator

Filter

Pressure regulator

Lubricator

System extensions

Accessories

Special products