

Relief valve | BGO

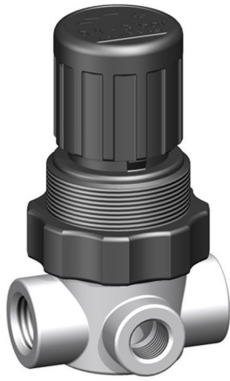


Image shows:
9.6101.00.500.0V

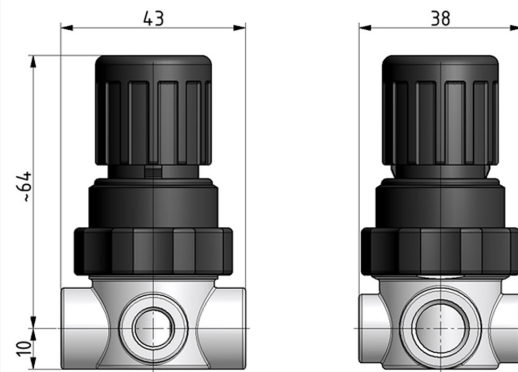
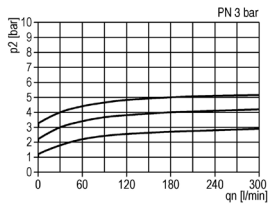
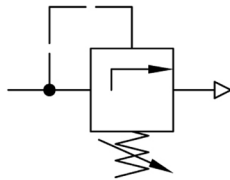


Image shows:
9.6101.00.500.0V

exhaust characteristics



symbol



technical data

adjustment range P2 max.: 3 bar
description: spring loaded diaphragm-relief-valve opening pressure adjustable
medium: compressed air, non corrosive gases (other media available upon request)
temperature range: -10°C - +60°C
fixing: panel mounting, ø30,5

accessories



control panel mounting:
[WH.M 30/DR.00-34](#)

type	part-number	description
DVU.01	9.6101.00.500.0V	Relief valve G1/4 0,1-3
DVU.01	9.6101.00.501.0V	Relief valve G1/4 0,1-2
DVU.01	9.6101.00.503.0V	Relief valve G1/4 0,5-10
DVU.01 S/KS	9.6101.00.50301V	Relief valve G1/4 0,5-10 with plastic control panel nut
DVU.01	9.6101.00.504.0V	Relief valve G1/4 0,2-7
DVU.01 S/KS	9.6101.00.50401V	Relief valve G1/4 0,2-7 with plastic control panel nut