

Relief valve | BG3



Image shows:
9.6133.00.500.0V

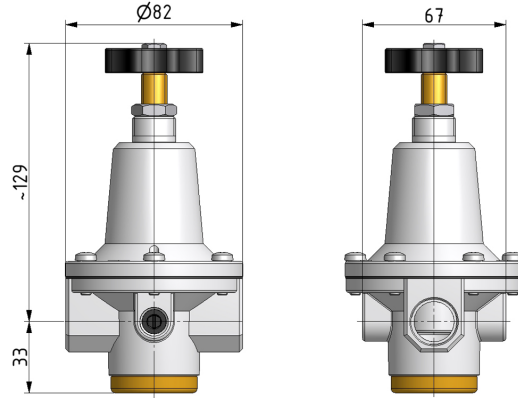
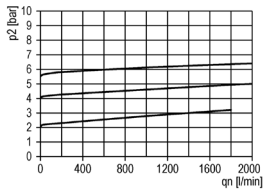
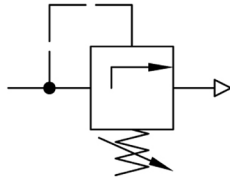


Image shows:
9.6133.00.500.0V

exhaust characteristics



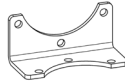
symbol



technical data

adjustment range P2 max.: 3 bar
description: spring loaded diaphragm-relief-valve opening pressure adjustable
medium: compressed air, non corrosive gases (other media available upon request)
temperature range: -10°C - +60°C
fixing: panel mounting, ø20,5

accessories



mounting bracket: [BW.30](#)

control panel mounting: nut
DR.11-7

type	part-number	description
DVU.33	9.6133.00.500.0V	Relief valve G1/2 0,1-3
DVU.33	9.6133.00.517.0V	Relief valve G1/2 0,5-10
DVU.33	9.6133.00.520.0V	Relief valve G1/2 0,1-1
DVU.33	9.6133.00.550.0V	Relief valve G1/2 0,2-5,5

Service 3 unit

Service 2 unit

Filter regulator

Filter

Pressure regulator

Lubricator

System extensions

Accessories

Special products