

Service 2 unit | BGO



Image shows:
9.3100.00.005.0V

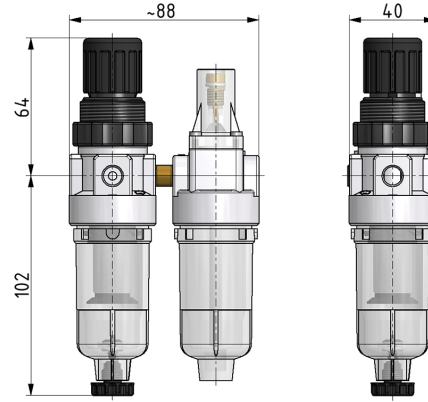
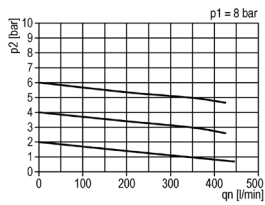
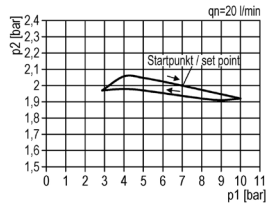


Image shows:
9.3100.00.005.0V

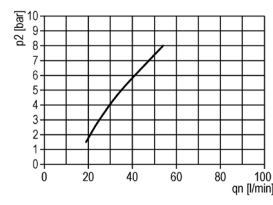
flow characteristic



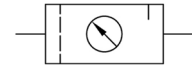
pressure characteristic



lubricator operating limit



symbol



technical data

description: sinter filter centrifugal principle, diaphragm-type pressure with relieving feature, proportional oiler
medium: compressed air, neutral gases
supply pressure P1 min.: 1,5 bar
supply pressure P1 max.: 16 bar
temperature range: -10°C - +60°C
bowl: PC
drain: HA
mounting: vertical
filter element: 5 µm
bowl volume lubricator: 17 cm³
oil metering qv=1.000l/min: 1 - 2 drops/min
oil type: CL 32 DIN 51517 - ISO VG 32

accessories



control panel mounting:
[WH.M 30/DR.00-34](#)

type	part-number	description
FDO.00 HA4	9.3100.00.005.0V	Service 2 unit G1/8 0,5-10 5µm with PC bowl and semi automatic drain
FDO.01 HA4	9.3101.00.005.0V	Service 2 unit G1/4 0,5-10 5µm with PC bowl and semi automatic drain
FDO.01 M HA4	9.3101.00.007.0V	Service 2 unit G1/4 0,5-10 5µm with metal bowl and semi automatic drain

Service 3 unit

Service 2 unit

Filter regulator

Filter

Pressure regulator

Lubricator

System extensions

Accessories

Special products