

## Service 2 unit | BG5

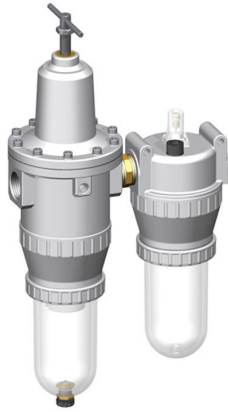


Image shows:  
9.3155.00.125.0

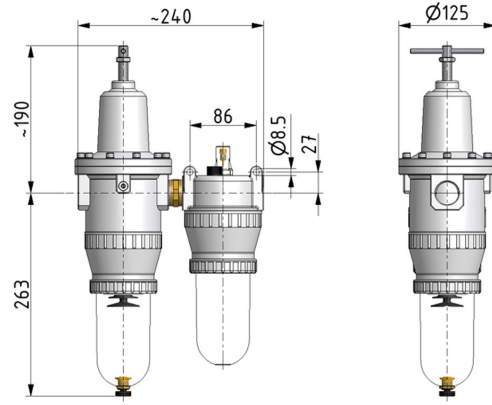
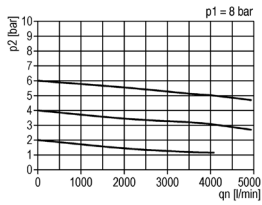
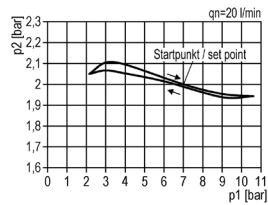


Image shows:  
9.3155.00.125.0

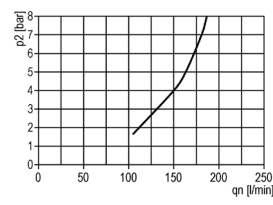
### flow characteristic



### pressure characteristic



### lubricator operating limit



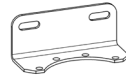
### symbol



### technical data

**description:** sinter filter centrifugal principle, diaphragm-type pressure with relieving feature, proportional oiler  
**medium:** compressed air, neutral gases  
**supply pressure P1 min.:** 1,5 bar  
**supply pressure P1 max.:** 16 bar  
**temperature range:** -10°C - +60°C  
**bowl:** PC  
**drain:** HA3  
**mounting:** vertical  
**filter element:** 40 µm  
**bowl volume lubricator:** 550 cm<sup>3</sup>  
**oil metering qv=1.000l/min:** 1 - 2 drops/min  
**oil type:** CL 32 DIN 51517 - ISO VG 32

### accessories



mounting bracket: [BW.50](#)

### type

FDO.55 HA3

### part-number

9.3155.00.125.0

### description

Service 2 unit G1 0,5-10 40µm with PC bowl and semi automatic drain

Service 3 unit

Service 2 unit

Filter regulator

Filter

Pressure regulator

Lubricator

System extensions

Accessories

Special products