

## Service 3 unit | BG1



Image shows:  
9.3011.00.005.0V

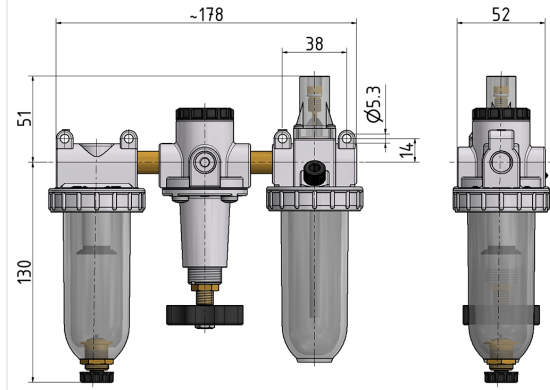
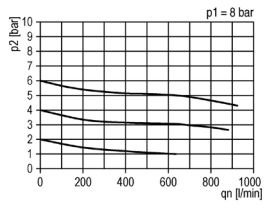
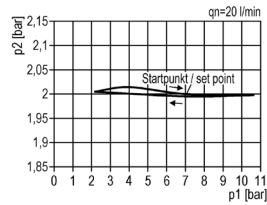


Image shows:  
9.3011.00.005.0V

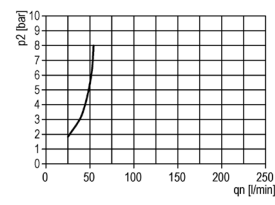
### flow characteristic



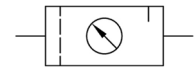
### pressure characteristic



### lubricator operating limit



### symbol



### technical data

**description:** sinter filter centrifugal principle, diaphragm-type pressure with relieving feature, proportional oiler  
**medium:** compressed air, neutral gases  
**supply pressure P1 min.:** 1,5 bar  
**supply pressure P1 max.:** 16 bar  
**temperature range:** -10°C - +60°C  
**bowl:** PC  
**drain:** HA3  
**mounting:** vertical  
**filter element:** 5 µm  
**bowl volume lubricator:** 40 cm<sup>3</sup>  
**oil metering qv=1.000l/min:** 1 - 2 drops/min  
**oil type:** CL 32 DIN 51517 - ISO VG 32

### accessories



mounting bracket: [BW.10](#)

control panel mounting: nut  
DR.11-7

type	part-number	description
FRO.11 HA3	9.3011.00.005.0V	Service 3 unit G1/4 0,5-10 5µm with PC bowl and semi automatic drain
FRO.12 HA3	9.3012.00.005.0V	Service 3 unit G3/8 0,5-10 5µm with PC bowl and semi automatic drain

Service 3 unit

Service 2 unit

Filter regulator

Filter

Pressure regulator

Lubricator

System extensions

Accessories

Special products