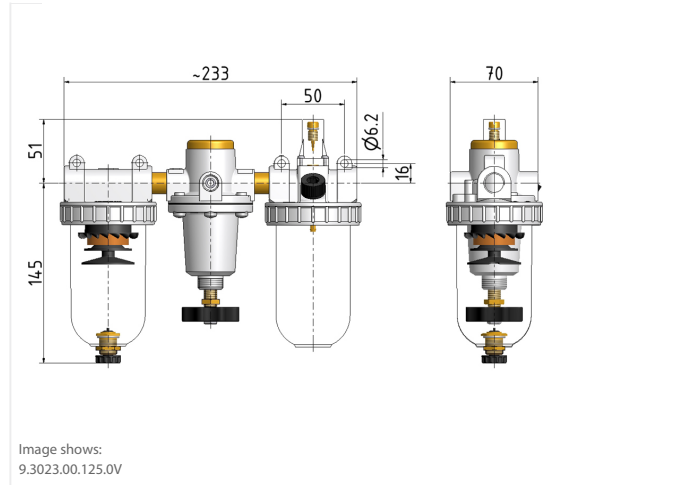
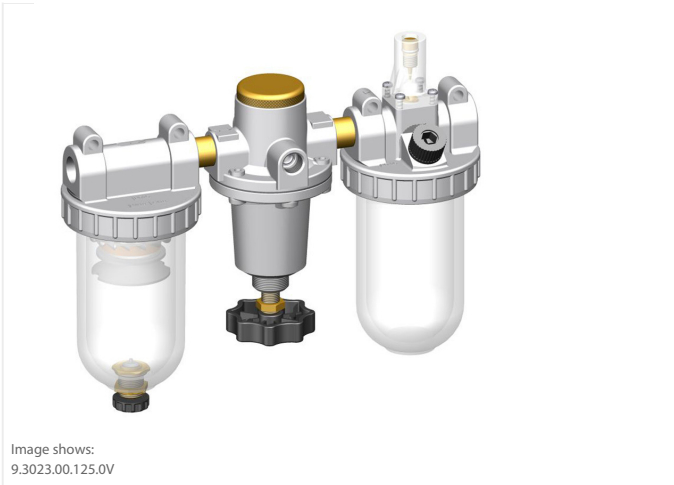
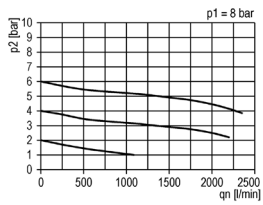


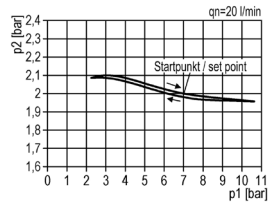
Service 3 unit | BG2



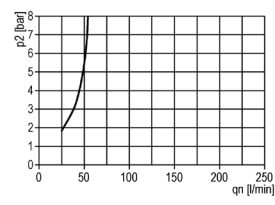
flow characteristic



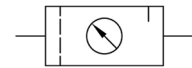
pressure characteristic



lubricator operating limit



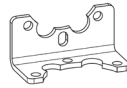
symbol



technical data

description: sinter filter centrifugal principle, diaphragm-type pressure with relieving feature, proportional oiler
medium: compressed air, neutral gases
supply pressure P1 min.: 1,5 bar
supply pressure P1 max.: 16 bar
temperature range: -10°C - +60°C
bowl: PC
drain: HA3
mounting: vertical
filter element: 40 µm
bowl volume lubricator: 110 cm³
oil metering qv=1.000l/min: 1 - 2 drops/min
oil type: CL 32 DIN 51517 - ISO VG 32

accessories



mounting bracket: [BW.20](#)

control panel mounting: nut DR.11-7

type

FRO.23 HA3

part-number

9.3023.00.125.0V

description

Service 3 unit G1/2 0,5-10 40µm with PC bowl and semi automatic drain