

Service 3 unit | BG3

Service 3 unit

Service 2 unit

Filter regulator

Filter

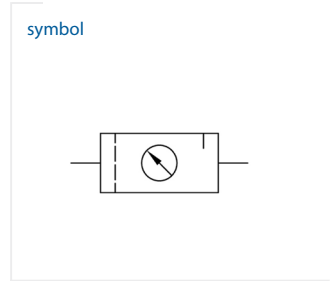
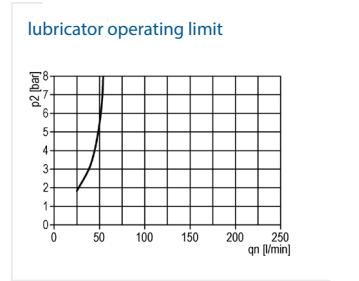
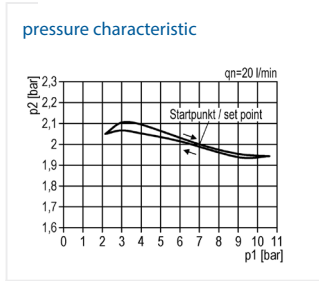
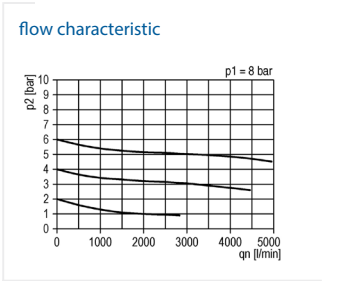
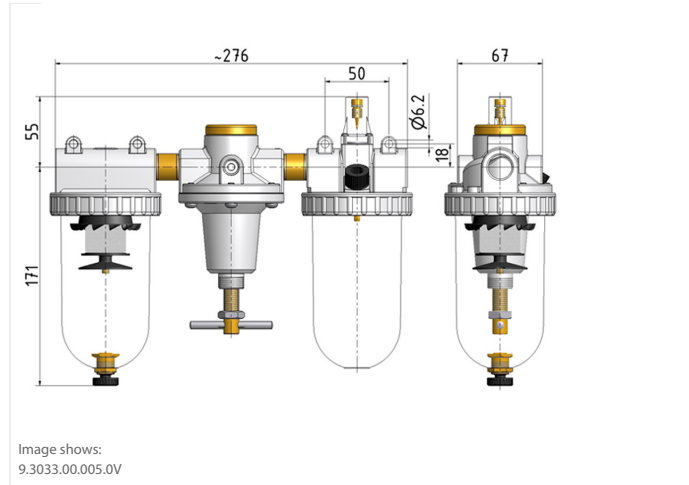
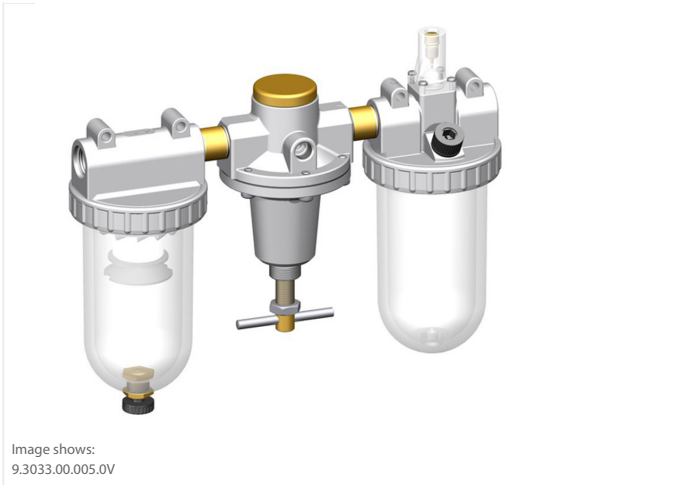
Pressure regulator

Lubricator

System extensions

Accessories

Special products



technical data

description: sinter filter centrifugal principle, diaphragm-type pressure with relieving feature, proportional oiler

medium: compressed air, neutral gases

supply pressure P1 min.: 1,5 bar

supply pressure P1 max.: 16 bar

temperature range: -10°C - +60°C

bowl: PC

drain: HA3

mounting: vertical

filter element: 5 µm

bowl volume lubricator: 135 cm³

oil metering qv=1.000l/min: 1 - 2 drops/min

oil type: CL 32 DIN 51517 - ISO VG 32

accessories

mounting bracket: [BW.30](#)

control panel mounting: nut DR.11-7

type	part-number	description
FRO.33 HA3	9.3033.00.005.0V	Service 3 unit G1/2 0,5-10 5µm with PC bowl and semi automatic drain
FRO.33 AM10 B	9.3033.00.013.0V	Service 3 unit G1/2 0,5-10 5µm with PC bowl, bowl guard and automatic drain