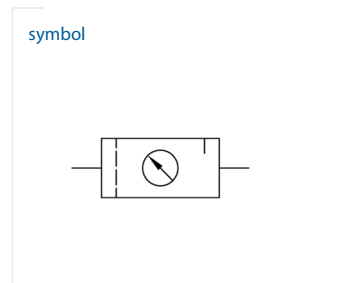
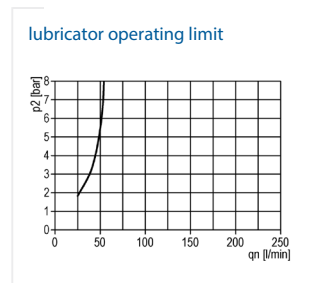
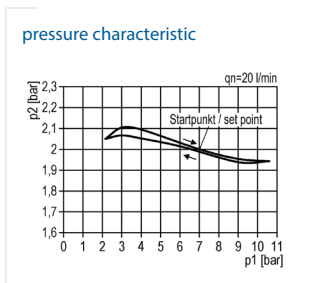
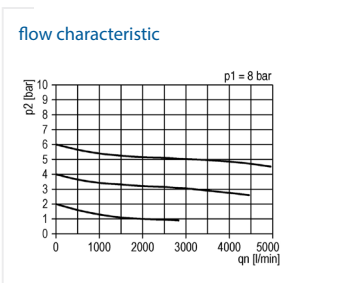
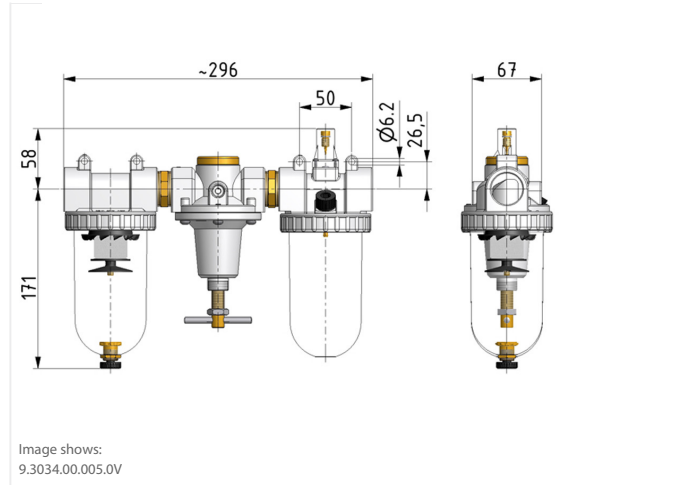
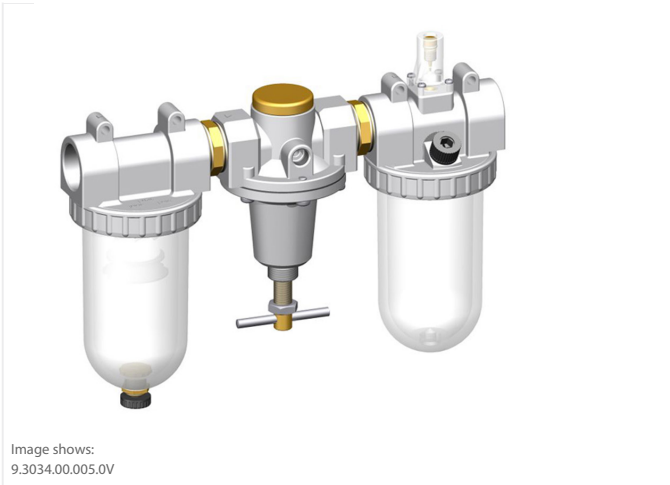


## Service 3 unit | BG3



### technical data

**description:** sinter filter centrifugal principle, diaphragm-type pressure with relieving feature, proportional oiler  
**medium:** compressed air, neutral gases  
**supply pressure P1 min.:** 1,5 bar  
**supply pressure P1 max.:** 16 bar  
**temperature range:** -10°C - +60°C  
**bowl:** PC  
**drain:** HA3  
**mounting:** vertical  
**filter element:** 5 µm  
**bowl volume lubricator:** 135 cm<sup>3</sup>  
**oil metering qv=1.000l/min:** 1 - 2 drops/min  
**oil type:** CL 32 DIN 51517 - ISO VG 32

### accessories

mounting bracket: [BW.30](#)

control panel mounting: nut DR.11-7

type	part-number	description
FRO.34 HA3	9.3034.00.005.0V	Service 3 unit G3/4 0,5-10 5µm with PC bowl and semi automatic drain
FRO.35 HA3	9.3035.00.005.0V	Service 3 unit G1 0,5-10 5µm with PC bowl and semi automatic drain
FRO.35 HA3 B	9.3035.00.008.0V	Service 3 unit G1 0,5-10 5µm with PC bowl, bowl guard and semi automatic drain
FRO.35 AM10	9.3035.00.010.0V	Service 3 unit G1 0,5-10 5µm with PC bowl and automatic drain