

Service 3 unit | BG8



Image shows:
9.3088.00.125.0

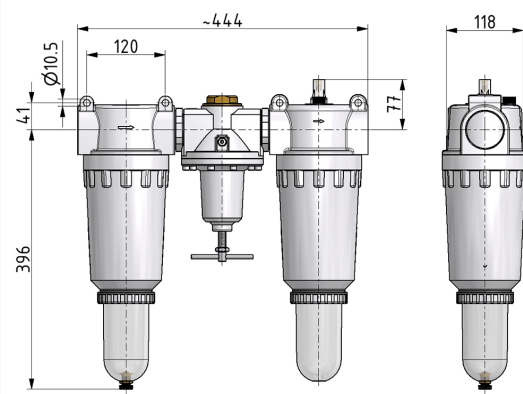
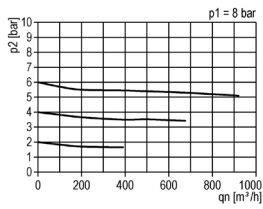
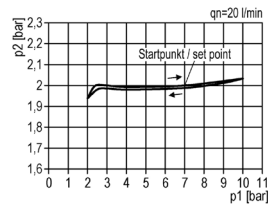


Image shows:
9.3088.00.125.0

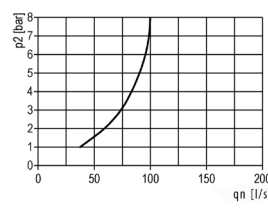
flow characteristic



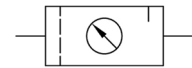
pressure characteristic



lubricator operating limit



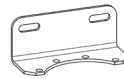
symbol



technical data

description: sinter filter centrifugal principle, diaphragm-type pressure with relieving feature, proportional oiler
medium: compressed air, neutral gases
supply pressure P1 min.: 1,5 bar
supply pressure P1 max.: 16 bar
temperature range: -10°C - +60°C
bowl: PC
drain: HA3
mounting: vertical
filter element: 60 µm
bowl volume lubricator: 1700 cm³
oil metering qv=1.000l/min: 1 - 2 drops/min
oil type: CL 32 DIN 51517 - ISO VG 32

accessories



mounting bracket: [BW.50](#)

type	part-number	description
FRO.88 HA3	9.3088.00.125.0	Service 3 unit G2 0,5-10 60µm with PC bowl and semi automatic drain
FRO.88 M HA3	9.3088.00.127.0	Service 3 unit G2 0,5-10 60µm with metal bowl and semi automatic drain
FRO.88 HA3 B	9.3088.00.128.0	Service 3 unit G2 0,5-10 60µm with PC bowl, bowl guard and semi automatic drain
FRO.88 M AM10	9.3088.00.132.0	Service 3 unit G2 0,5-10 60µm with metal bowl and automatic drain
FRO.88 AM10 B	9.3088.00.133.0	Service 3 unit G2 0,5-10 60µm with PC bowl, bowl guard and automatic drain