

Filter | BG4



Image shows:
91304.FF00

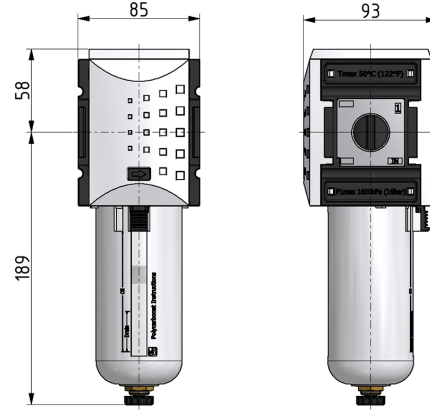
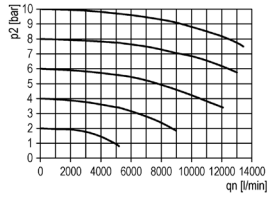
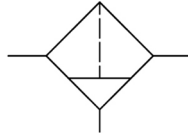


Image shows:
91304.FF00

flow characteristic



symbol



technical data

- **description:** sinter filter centrifugal principle
- **medium:** compressed air, neutral gases
- **supply pressure P1 min.:** 1,5 bar
- **supply pressure P1 max.:** 16 bar
- **temperature range:** -10°C - +50°C
- **bowl:** PC with PA bowl guard
- **drain:** HA
- **mounting:** vertical
- **filter element:** 5 µm

accessories



- **mounting bracket:**
[KBW.4-1225](#)



- **coupling kit wall mounting:**
[KKOP.4W](#)

| type | part-number | description |
|---------------|-------------|---|
| KFIL-434 | 91304.FF00 | Filter G3/4 5µm with PC bowl, bowl guard and semi automatic drain |
| KFIL-434 AM | 91304.FF01 | Filter G3/4 5µm with PC bowl, bowl guard and automatic drain |
| KFIL-434 H | 91304.FF50 | Filter G3/4 5µm with metal bowl and semi automatic drain |
| KFIL-434 H AM | 91304.FF51 | Filter G3/4 5µm with metal bowl and automatic drain |
| KFIL-41 | 91304.GG00 | Filter G1 5µm with PC bowl, bowl guard and semi automatic drain |
| KFIL-41 AM | 91304.GG01 | Filter G1 5µm with PC bowl, bowl guard and automatic drain |
| KFIL-41 H | 91304.GG50 | Filter G1 5µm with metal bowl and semi automatic drain |
| KFIL-41 H AM | 91304.GG51 | Filter G1 5µm with metal bowl and automatic drain |

Service 3 unit

Service 2 unit

Filter regulator

Filter

Pressure regulator

Lubricator

System extensions

Accessories

Special products