

Prefilter | BG1



Image shows:
91311.CC00

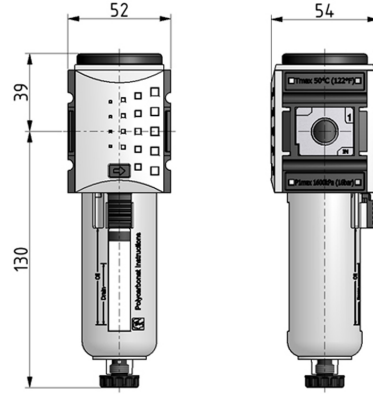
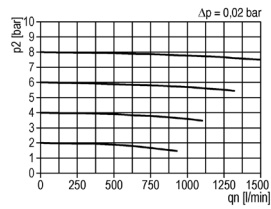
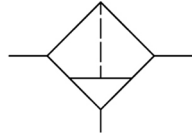


Image shows:
91311.CC00

flow characteristic



symbol



technical data

- **description:** prefilter
- **medium:** compressed air, neutral gases
- **supply pressure P1 min.:** 1,5 bar
- **supply pressure P1 max.:** 16 bar
- **temperature range:** -10°C - +50°C
- **bowl:** PC with PA bowl guard
- **drain:** HA
- **mounting:** vertical
- **filter element:** 0,3 μm
- **particle separation:** 99.999%

accessories



- **mounting bracket:**
[KBW.1-1225](#)



- **coupling kit wall mounting:**
[KKOP.1W](#)

• differential pressure display



- **differential pressure gauge:**
[DM.2](#)

Service 3 unit

Service 2 unit

Filter regulator

Filter

Pressure regulator

Lubricator

System extensions

Accessories

Special products

type	part-number	description
KPFI-114	91311.CC00	Prefilter G1/4 0,3µm with PC bowl, bowl guard and semi automatic drain
KPFI-114 AM	91311.CC01	Prefilter G1/4 0,3µm with PC bowl, bowl guard and automatic drain
KPFI-114 H	91311.CC50	Prefilter G1/4 0,3µm with metal bowl and semi automatic drain
KPFI-114 H AM	91311.CC51	Prefilter G1/4 0,3µm with metal bowl and automatic drain
KPFI-138	91311.DD00	Prefilter G3/8 0,3µm with PC bowl, bowl guard and semi automatic drain
KPFI-138 AM	91311.DD01	Prefilter G3/8 0,3µm with PC bowl, bowl guard and automatic drain
KPFI-138 H	91311.DD50	Prefilter G3/8 0,3µm with metal bowl and semi automatic drain
KPFI-138 H AM	91311.DD51	Prefilter G3/8 0,3µm with metal bowl and automatic drain