

## Finefilter | BG0



Image shows:  
91320.CC00

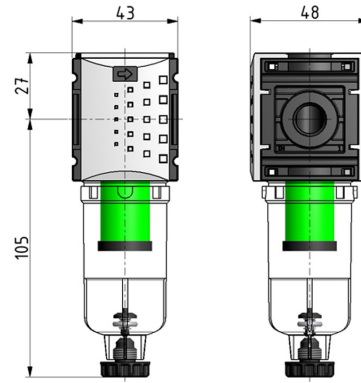
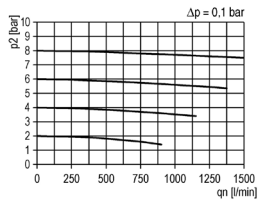
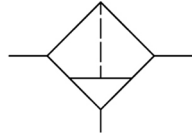


Image shows:  
91320.CC00

### flow characteristic



### symbol



### technical data

**description:** finefilter  
**medium:** compressed air, neutral gases  
**supply pressure P1 min.:** 1,5 bar  
**supply pressure P1 max.:** 12 bar  
**temperature range:** -10°C - +50°C  
**bowl:** PC  
**drain:** HA  
**mounting:** vertical  
**filter element:** 0,01 μm  
**particle separation:** > 0,01 μm 99,999%  
**residual oil concent:** < 0,01 mg/m<sup>3</sup> 99,999%

### accessories



mounting bracket:  
[KBW.0-1225](#)



coupling kit wall mounting:  
[KKOP.0W](#)

type	part-number	description
KCFI-014	91320.CC00	Finefilter G1/4 0,01 μm with PC bowl and semi automatic drain
KCFI-014 AM	91320.CC01	Finefilter G1/4 0,01 μm with PC bowl and automatic drain
KCFI-014 M	91320.CC50	Finefilter G1/4 0,01 μm with metal bowl and semi automatic drain
KCFI-014 M AM	91320.CC51	Finefilter G1/4 0,01 μm with metal bowl and automatic drain

Service 3 unit

Service 2 unit

Filter regulator

Filter

Pressure regulator

Lubricator

System extensions

Accessories

Special products