

Finefilter | BG1



Image shows:
91321.CC00

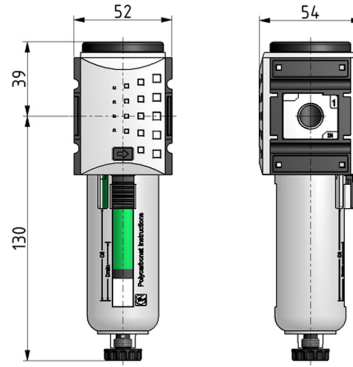
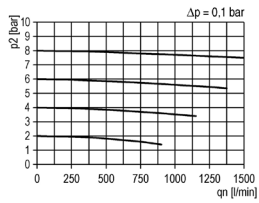
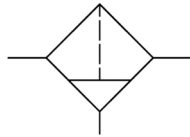


Image shows:
91321.CC00

flow characteristic



symbol



technical data

- **description:** finefilter
- **medium:** compressed air, neutral gases
- **supply pressure P1 min.:** 1,5 bar
- **supply pressure P1 max.:** 16 bar
- **temperature range:** -10°C - +50°C
- **bowl:** PC with PA bowl guard
- **drain:** HA
- **mounting:** vertical
- **filter element:** 0,01 μm
- **particle separation:** > 0,01 μm 99,999%
- **residual oil concent:** < 0,01 mg/m³ 99,999%

accessories



- **mounting bracket:**
[KBW.1-1225](#)



- **coupling kit wall mounting:**
[KKOP.1W](#)

- **differential pressure display**



- **differential pressure gauge:**
[DM.2](#)

| type | part-number | description |
|---------------|-------------|--|
| KCFI-114 | 91321.CC00 | Finefilter G1/4 0,01µm with PC bowl, bowl guard and semi automatic drain |
| KCFI-114 AM | 91321.CC01 | Finefilter G1/4 0,01µm with PC bowl, bowl guard and automatic drain |
| KCFI-114 H | 91321.CC50 | Finefilter G1/4 0,01µm with metal bowl and semi automatic drain |
| KCFI-114 H AM | 91321.CC51 | Finefilter G1/4 0,01µm with metal bowl and automatic drain |
| KCFI-138 | 91321.DD00 | Finefilter G3/8 0,01µm with PC bowl, bowl guard and semi automatic drain |
| KCFI-138 AM | 91321.DD01 | Finefilter G3/8 0,01µm with PC bowl, bowl guard and automatic drain |
| KCFI-138 H | 91321.DD50 | Finefilter G3/8 0,01µm with metal bowl and semi automatic drain |
| KCFI-138 H AM | 91321.DD51 | Finefilter G3/8 0,01µm with metal bowl and automatic drain |

Service 3 unit

Service 2 unit

Filter regulator

Filter

Pressure regulator

Lubricator

System extensions

Accessories

Special products