

Finefilter | BG2



Image shows:
91322.DD00

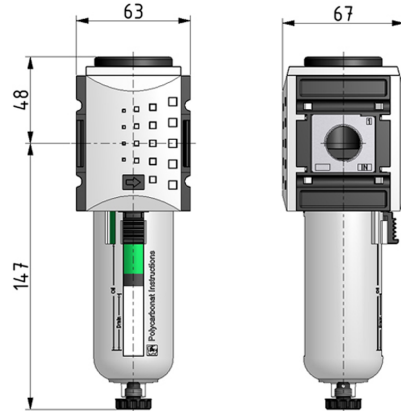
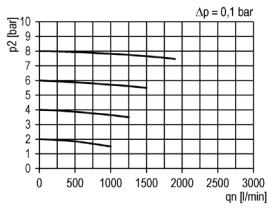
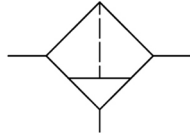


Image shows:
91322.DD00

flow characteristic




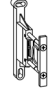

symbol



technical data

- **description:** finefilter
- **medium:** compressed air, neutral gases
- **supply pressure P1 min.:** 1,5 bar
- **supply pressure P1 max.:** 16 bar
- **temperature range:** -10°C - +50°C
- **bowl:** PC with PA bowl guard
- **drain:** HA
- **mounting:** vertical
- **filter element:** 0,01 μm
- **particle separation:** > 0,01 μm 99,999%
- **residual oil concent:** < 0,01 mg/m³ 99.999%

accessories

 <ul style="list-style-type: none"> • mounting bracket: KBW 2-1225 	 <ul style="list-style-type: none"> • coupling kit wall mounting: KKOP 2W 	<ul style="list-style-type: none"> • differential pressure display
 <ul style="list-style-type: none"> • differential pressure gauge: DM 2 		

Service 3 unit

Service 2 unit

Filter regulator

Filter

Pressure regulator

Lubricator

System extensions

Accessories

Special products

type	part-number	description
KCFI-238	91322.DD00	Finefilter G3/8 0,01µm with PC bowl, bowl guard and semi automatic drain
KCFI-238 AM	91322.DD01	Finefilter G3/8 0,01µm with PC bowl, bowl guard and automatic drain
KCFI-238 H	91322.DD50	Finefilter G3/8 0,01µm with metal bowl and semi automatic drain
KCFI-238 H AM	91322.DD51	Finefilter G3/8 0,01µm with metal bowl and automatic drain
KCFI-212	91322.EE00	Finefilter G1/2 0,01µm with PC bowl, bowl guard and semi automatic drain
KCFI-212 AM	91322.EE01	Finefilter G1/2 0,01µm with PC bowl, bowl guard and automatic drain
KCFI-212 H	91322.EE50	Finefilter G1/2 0,01µm with metal bowl and semi automatic drain
KCFI-212 H AM	91322.EE51	Finefilter G1/2 0,01µm with metal bowl and automatic drain

Service 3 unit

Service 2 unit

Filter regulator

Filter

Pressure regulator

Lubricator

System extensions

Accessories

Special products