

## Finefilter | BG4



Image shows:  
91324.FF00

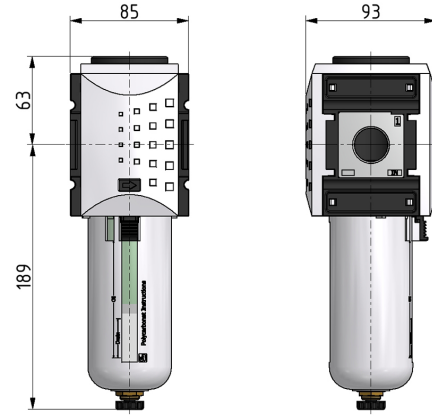
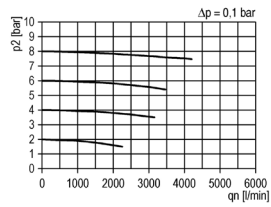
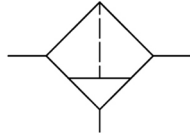


Image shows:  
91324.FF00

### flow characteristic



### symbol



### technical data

- **description:** finefilter
- **medium:** compressed air, neutral gases
- **supply pressure P1 min.:** 1,5 bar
- **supply pressure P1 max.:** 16 bar
- **temperature range:** -10°C - +50°C
- **bowl:** PC with PA bowl guard
- **drain:** HA
- **mounting:** vertical
- **filter element:** 0,01 μm
- **particle separation:** > 0,01 μm 99,999%
- **residual oil concent:** < 0,01 mg/m<sup>3</sup> 99.999%

### accessories



- **mounting bracket:**  
[KBW.4-1225](#)



- **coupling kit wall mounting:**  
[KKOP.4W](#)

- **differential pressure display**



- **differential pressure gauge:**  
[DM.2](#)

type	part-number	description
KCFI-434	91324.FF00	Finefilter G3/4 0,01µm with PC bowl, bowl guard and semi automatic drain
KCFI-434 AM	91324.FF01	Finefilter G3/4 0,01µm with PC bowl, bowl guard and automatic drain
KCFI-434 H	91324.FF50	Finefilter G3/4 0,01µm with metal bowl and semi automatic drain
KCFI-434 H AM	91324.FF51	Finefilter G3/4 0,01µm with metal bowl and automatic drain
KCFI-41	91324.GG00	Finefilter G1 0,01µm with PC bowl, bowl guard and semi automatic drain
KCFI-41 AM	91324.GG01	Finefilter G1 0,01µm with PC bowl, bowl guard and automatic drain
KCFI-41 H	91324.GG50	Finefilter G1 0,01µm with metal bowl and semi automatic drain
KCFI-41 H AM	91324.GG51	Finefilter G1 0,01µm with metal bowl and automatic drain

Service 3 unit

Service 2 unit

Filter regulator

Filter

Pressure regulator

Lubricator

System extensions

Accessories

Special products