

## Active carbon filter | BG0



Image shows:  
91330.CC00

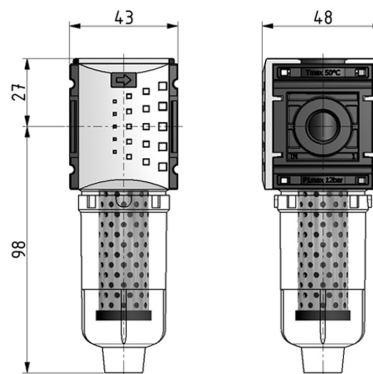
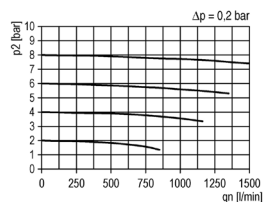
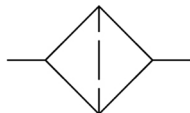


Image shows:  
91330.CC00

### flow characteristic



### symbol



### technical data

**description:** active carbon filter  
**medium:** compressed air, neutral gases  
**supply pressure P1 min.:** 0 bar  
**supply pressure P1 max.:** 12 bar  
**temperature range:** -10°C - +50°C  
**bowl:** PC  
**mounting:** vertical

### accessories



mounting bracket:  
[KBW.0-1225](#)



coupling kit wall mounting:  
[KKOP.0W](#)

type	part-number	description
KAFI-014	91330.CC00	Activated carbon filter G1/4 with PC bowl
KAFI-014 M	91330.CC50	Activated carbon filter G1/4 with metal bowl

Service 3 unit

Service 2 unit

Filter regulator

Filter

Pressure regulator

Lubricator

System extensions

Accessories

Special products