

Active carbon filter | BG2



Image shows:
91332.DD00

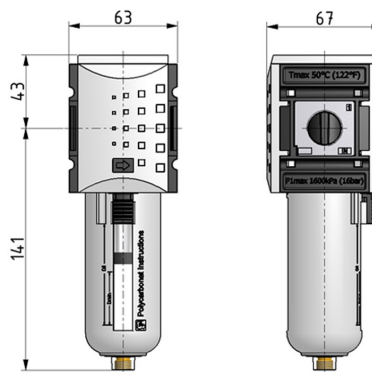
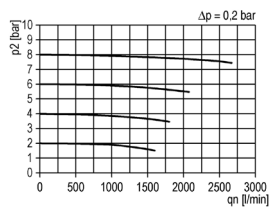
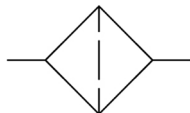


Image shows:
91332.DD00

flow characteristic



symbol



technical data

description: active carbon filter
medium: compressed air, neutral gases
supply pressure P1 min.: 0 bar
supply pressure P1 max.: 16 bar
temperature range: -10°C - +50°C
bowl: PC with PA bowl guard
mounting: vertical

accessories



mounting bracket:
[KBW.2-1225](#)



coupling kit wall mounting:
[KKOP.2W](#)

type	part-number	description
KAFI-238	91332.DD00	Activated carbon filter G3/8 with PC bowl and bowl guard
KAFI-238 H	91332.DD50	Activated carbon filter G3/8 with metal bowl
KAFI-212	91332.EE00	Activated carbon filter G1/2 with PC bowl and bowl guard
KAFI-212 H	91332.EE50	Activated carbon filter G1/2 with metal bowl