

## Active carbon filter | BG4



Image shows:  
91334.FF00

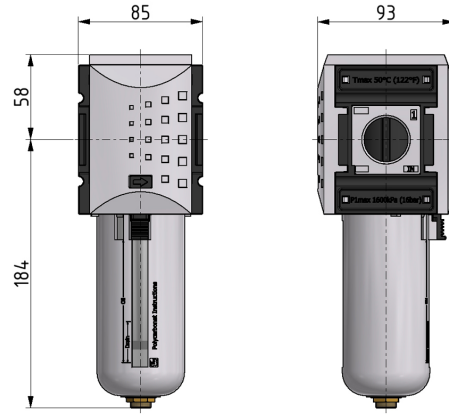
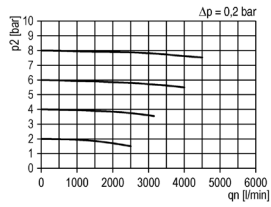
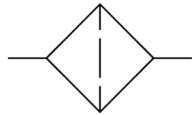


Image shows:  
91334.FF00

### flow characteristic



### symbol



### technical data

**description:** active carbon filter  
**medium:** compressed air, neutral gases  
**supply pressure P1 min.:** 0 bar  
**supply pressure P1 max.:** 16 bar  
**temperature range:** -10°C - +50°C  
**bowl:** PC with PA bowl guard  
**mounting:** vertical

### accessories



mounting bracket:  
[KBW.4-1225](#)



coupling kit wall mounting:  
[KKOP.4W](#)

type	part-number	description
KAFI-434	91334.FF00	Activated carbon filter G3/4 with PC bowl and bowl guard
KAFI-434 H	91334.FF50	Activated carbon filter G3/4 with metal bowl
KAFI-41	91334.GG00	Activated carbon filter G1 with PC bowl and bowl guard
KAFI-41 H	91334.GG50	Activated carbon filter G1 with metal bowl

Service 3 unit

Service 2 unit

Filter regulator

Filter

Pressure regulator

Lubricator

System extensions

Accessories

Special products