

## Filter | BGO



Image shows:  
9.1300.00.000

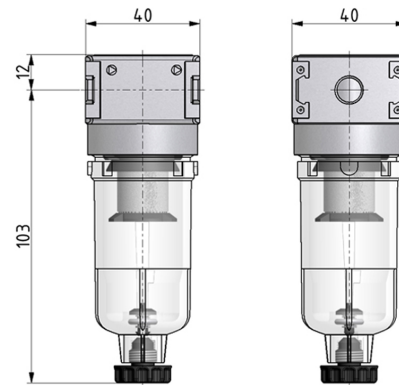
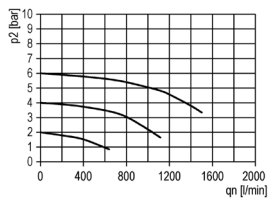
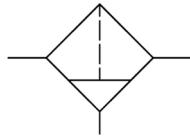


Image shows:  
9.1300.00.000

### flow characteristic



### symbol



### technical data

- **description:** sinter filter centrifugal principle
- **medium:** compressed air, neutral gases
- **supply pressure P1 min.:** 1,5 bar
- **supply pressure P1 max.:** 16 bar
- **temperature range:** -10°C - +60°C
- **bowl:** PC
- **drain:** HA
- **mounting:** vertical
- **filter element:** 5 µm

### accessories



- **coupling kit wall mounting:**  
[ZW.00-1](#)

Service 3 unit

Service 2 unit

Filter regulator

Filter

Pressure regulator

Lubricator

System extensions

Accessories

Special products

type	part-number	description
F.00 HA4	9.1300.00.000	Filter G1/8 5µm with PC bowl and semi automatic drain
F.00 B HA4	9.1300.00.001	Filter G1/8 5µm with PC bowl, bowl guard and semi automatic drain
F.00 AM10	9.1300.00.004	Filter G1/8 5µm with PC bowl and automatic drain
F.00 M HA4	9.1300.00.006	Filter G1/8 5µm with metal bowl and semi automatic drain
F.00 M AM10	9.1300.00.007	Filter G1/8 5µm with metal bowl and automatic drain
F.01 HA4	9.1301.00.000	Filter G1/4 5µm with PC bowl and semi automatic drain
F.01 B HA4	9.1301.00.001	Filter G1/4 5µm with PC bowl, bowl guard and semi automatic drain
F.01 AM10	9.1301.00.004	Filter G1/4 5µm with PC bowl and automatic drain
F.01 M HA4	9.1301.00.006	Filter G1/4 5µm with metal bowl and semi automatic drain
F.01 M AM10	9.1301.00.007	Filter G1/4 5µm with metal bowl and automatic drain

Service 3 unit

Service 2 unit

Filter regulator

Filter

Pressure regulator

Lubricator

System extensions

Accessories

Special products