

Filter | BG1



Image shows:
9.1311.050

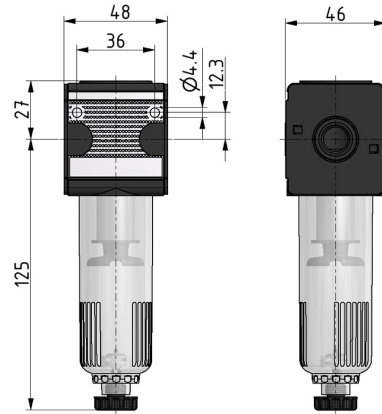
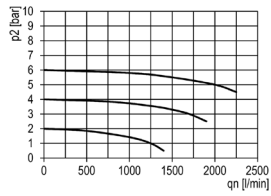
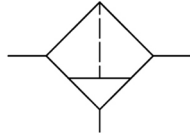


Image shows:
9.1311.050

flow characteristic



symbol



technical data

- **description:** sinter filter centrifugal principle
- **medium:** compressed air, neutral gases
- **supply pressure P1 min.:** 1,5 bar
- **supply pressure P1 max.:** 16 bar
- **temperature range:** -10°C - +60°C
- **bowl:** PC
- **drain:** HA
- **mounting:** vertical
- **filter element:** 5 µm

accessories



- **mounting bracket:** [ZW.11-1](#)

type	part-number	description
F.11 HA4	9.1311.050	Filter G1/4 5µm with PC bowl and semi automatic drain
F.11 H HA3	9.1311.053	Filter G1/4 5µm with metal bowl/visual display and semi automatic drain
F.11 HA4 B	9.1311.054	Filter G1/4 5µm with PC bowl, bowl guard and semi automatic drain
F.11 AM10	9.1311.100	Filter G1/4 5µm with PC bowl and automatic drain
F.11 H AM10	9.1311.103	Filter G1/4 5µm with metal bowl/visual display and automatic drain
F.11 AM10 B	9.1311.104	Filter G1/4 5µm with PC bowl, bowl guard and automatic drain
F.12 HA4	9.1312.050	Filter G3/8 5µm with PC bowl and semi automatic drain
F.12 H HA3	9.1312.053	Filter G3/8 5µm with metal bowl/visual display and semi automatic drain
F.12 HA4 B	9.1312.054	Filter G3/8 5µm with PC bowl, bowl guard and semi automatic drain
F.12 AM10	9.1312.100	Filter G3/8 5µm with PC bowl and automatic drain
F.12 H AM10	9.1312.103	Filter G3/8 5µm with metal bowl/visual display and automatic drain
F.12 AM10 B	9.1312.104	Filter G3/8 5µm with PC bowl, bowl guard and automatic drain

Service 3 unit

Service 2 unit

Filter regulator

Filter

Pressure regulator

Lubricator

System extensions

Accessories

Special products