

## Filter | BG3



Image shows:  
9.1333.050

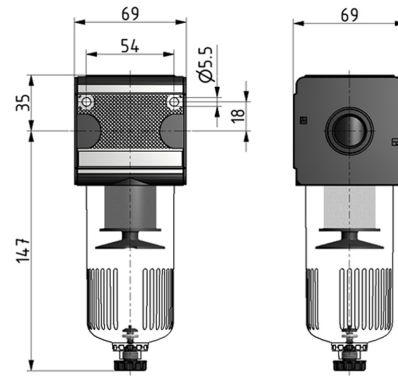
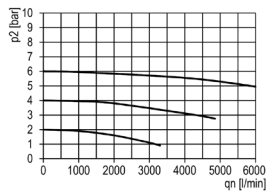
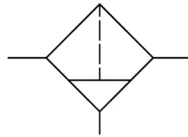


Image shows:  
9.1333.050

## flow characteristic



## symbol



## technical data

- **description:** sinter filter centrifugal principle
- **medium:** compressed air, neutral gases
- **supply pressure P1 min.:** 1,5 bar
- **supply pressure P1 max.:** 16 bar
- **temperature range:** -10°C - +60°C
- **bowl:** PC
- **drain:** HA
- **mounting:** vertical
- **filter element:** 5 µm

## accessories



- **mounting bracket:** [ZW.33-1](#)

type	part-number	description
F.33 HA4	9.1333.050	Filter G1/2 5µm with PC bowl and semi automatic drain
F.33 H HA3	9.1333.053	Filter G1/2 5µm with metal bowl/visual display and semi automatic drain
F.33 HA4 B	9.1333.054	Filter G1/2 5µm with PC bowl, bowl guard and semi automatic drain
F.33 AM10	9.1333.100	Filter G1/2 5µm with PC bowl and automatic drain
F.33 H AM10	9.1333.103	Filter G1/2 5µm with metal bowl/visual display and automatic drain
F.33 AM10 B	9.1333.104	Filter G1/2 5µm with PC bowl, bowl guard and automatic drain
F.34 HA4	9.1334.050	Filter G3/4 5µm with PC bowl and semi automatic drain
F.34 H HA3	9.1334.053	Filter G3/4 5µm with metal bowl/visual display and semi automatic drain
F.34 HA4 B	9.1334.054	Filter G3/4 5µm with PC bowl, bowl guard and semi automatic drain
F.34 AM10	9.1334.100	Filter G3/4 5µm with PC bowl and automatic drain
F.34 H AM10	9.1334.103	Filter G3/4 5µm with metal bowl/visual display and automatic drain
F.34 AM10 B	9.1334.104	Filter G3/4 5µm with PC bowl, bowl guard and automatic drain

Service 3 unit

Service 2 unit

Filter regulator

Filter

Pressure regulator

Lubricator

System extensions

Accessories

Special products