

Filter | BG4



Image shows:
9.1344.053

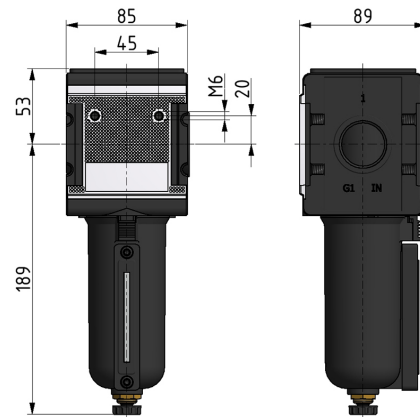
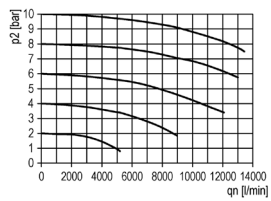
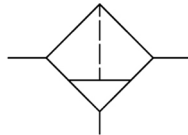


Image shows:
9.1344.053

flow characteristic



symbol



technical data

- **description:** sinter filter centrifugal principle
- **medium:** compressed air, neutral gases
- **supply pressure P1 min.:** 1,5 bar
- **supply pressure P1 max.:** 16 bar
- **temperature range:** -10°C - +60°C
- **bowl:** metal bowl with level indicator
- **drain:** HA3
- **mounting:** vertical
- **filter element:** 5 µm

accessories



- **mounting bracket:** [ZW.45](#)

type	part-number	description
F.44 H HA3	9.1344.053	Filter G3/4 5µm with metal bowl/visual display and semi automatic drain
F.44 HA3 B	9.1344.054	Filter G3/4 5µm with PC bowl, bowl guard and semi automatic drain
F.44 H AM10	9.1344.103	Filter G3/4 5µm with metal bowl/visual display and automatic drain
F.44 AM10 B	9.1344.104	Filter G3/4 5µm with PC bowl, bowl guard and automatic drain
F.45 H HA3	9.1345.053	Filter G1 5µm with metal bowl/visual display and semi automatic drain
F.45 HA3 B	9.1345.054	Filter G1 5µm with PC bowl, bowl guard and semi automatic drain
F.45 H AM10	9.1345.103	Filter G1 5µm with metal bowl/visual display and automatic drain
F.45 AM10 B	9.1345.104	Filter G1 5µm with PC bowl, bowl guard and automatic drain

Service 3 unit

Service 2 unit

Filter regulator

Filter

Pressure regulator

Lubricator

System extensions

Accessories

Special products