

Filter | BG5

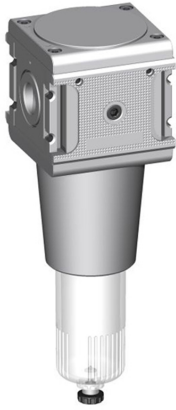


Image shows:
9.1354.00.350

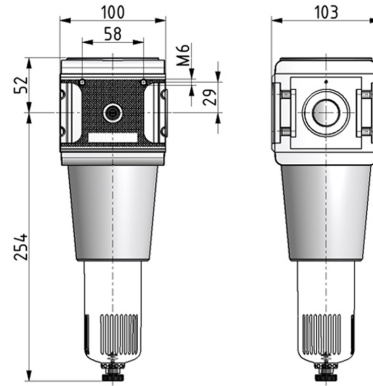
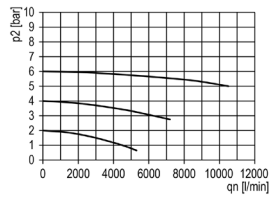
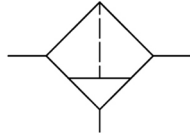


Image shows:
9.1354.00.350

flow characteristic



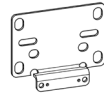
symbol



technical data

- **description:** sinter filter centrifugal principle
- **medium:** compressed air, neutral gases
- **supply pressure P1 min.:** 1,5 bar
- **supply pressure P1 max.:** 16 bar
- **temperature range:** -10°C - +60°C
- **bowl:** PC
- **drain:** HA
- **mounting:** vertical
- **filter element:** 40 µm

accessories



- mounting bracket: [ZW.55](#)

type	part-number	description
F.54 HA4	9.1354.00.350	Filter G3/4 40µm with PC bowl and semi automatic drain
F.54 H HA3	9.1354.00.353	Filter G3/4 40µm with metal bowl/visual display and semi automatic drain
F.54 HA4 B	9.1354.00.354	Filter G3/4 40µm with PC bowl, bowl guard and semi automatic drain
F.54 AM10	9.1354.00.400	Filter G3/4 40µm with PC bowl and automatic drain
F.55 HA4	9.1355.00.350	Filter G1 40µm with PC bowl and semi automatic drain
F.55 H HA3	9.1355.00.353	Filter G1 40µm with metal bowl/visual display and semi automatic drain
F.55 HA4 B	9.1355.00.354	Filter G1 40µm with PC bowl, bowl guard and semi automatic drain
F.55 AM10	9.1355.00.400	Filter G1 40µm with PC bowl and automatic drain
F.55 H AM10	9.1355.00.403	Filter G1 40µm with metal bowl/visual display and automatic drain
F.55 AM10 B	9.1355.00.404	Filter G1 40µm with PC bowl, bowl guard and automatic drain

Service 3 unit

Service 2 unit

Filter regulator

Filter

Pressure regulator

Lubricator

System extensions

Accessories

Special products