

# Prefilter | BGO



Image shows:  
9.1300.00.060

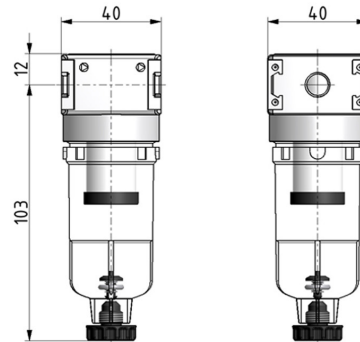
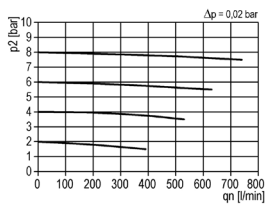
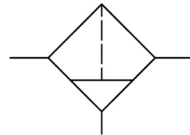


Image shows:  
9.1300.00.060

### flow characteristic



### symbol



### technical data

**description:** prefilter  
**medium:** compressed air, neutral gases  
**supply pressure P1 min.:** 1,5 bar  
**supply pressure P1 max.:** 16 bar  
**temperature range:** -10°C - +60°C  
**bowl:** PC  
**drain:** HA  
**mounting:** vertical  
**filter element:** 0,3 μm  
**particle separation:** > 0,3 μm 99,999%

### accessories



coupling kit wall mounting:  
[ZW.00-1](#)

type	part-number	description
FV.00 HA4	9.1300.00.060	Prefilter G1/8 0,3μm with PC bowl and semi automatic drain
FV.00 AM10	9.1300.00.062	Prefilter G1/8 0,3μm with PC bowl and automatic drain
FV.00 M HA4	9.1300.00.065	Prefilter G1/8 0,3μm with metal bowl and semi automatic drain
FV.00 M AM10	9.1300.00.066	Prefilter G1/8 0,3μm with metal bowl and automatic drain
FV.01 AM10	9.1301.00.062	Prefilter G1/4 0,3μm with PC bowl and automatic drain
FV.01 M HA4	9.1301.00.065	Prefilter G1/4 0,3μm with metal bowl and semi automatic drain