

Prefilter | BG1



Image shows:
9.1311.901

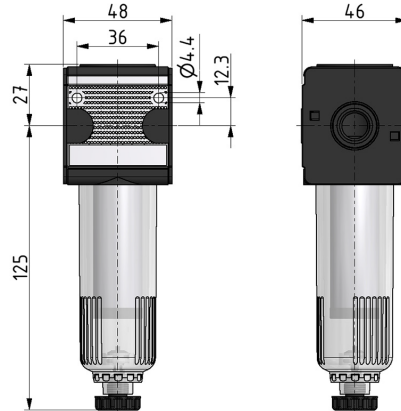
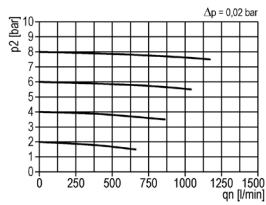
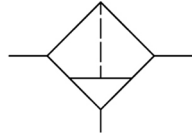


Image shows:
9.1311.901

flow characteristic



symbol



technical data

- description:** prefilter
- medium:** compressed air, neutral gases
- supply pressure P1 min.:** 1,5 bar
- supply pressure P1 max.:** 16 bar
- temperature range:** -10°C - +60°C
- bowl:** PC
- drain:** HA
- mounting:** vertical
- filter element:** 0,3 µm
- particle separation:** > 0,3 µm 99,999%

accessories



mounting bracket: [ZW.11-1](#)

type	part-number	description
FV.11 HA4	9.1311.901	Prefilter G1/4 0,3µm with PC bowl and semi automatic drain
FV.11 AM10	9.1311.902	Prefilter G1/4 0,3µm with PC bowl and automatic drain
FV.11 H HA3	9.1311.916	Prefilter G1/4 0,3µm with metal bowl/visual display and semi automatic drain
FV.11 H AM10	9.1311.917	Prefilter G1/4 0,3µm with metal bowl/visual display and automatic drain

Service 3 unit

Service 2 unit

Filter regulator

Filter

Pressure regulator

Lubricator

System extensions

Accessories

Special products