

Prefilter | BG3

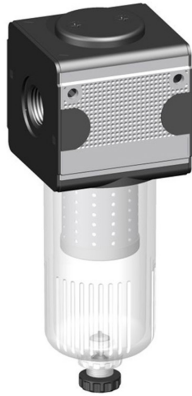


Image shows:
9.1333.901

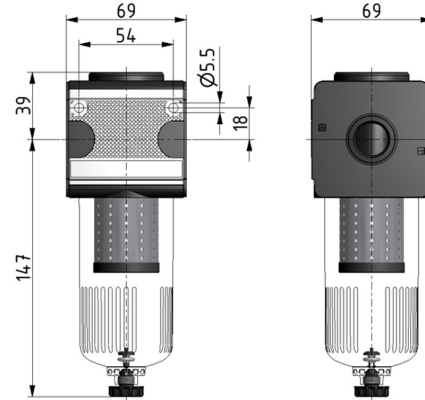
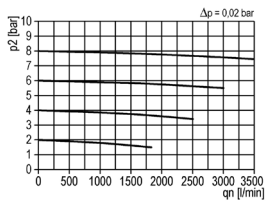
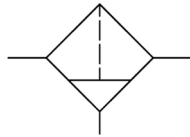


Image shows:
9.1333.901

flow characteristic



symbol



technical data

- description:** prefilter
- medium:** compressed air, neutral gases
- supply pressure P1 min.:** 1,5 bar
- supply pressure P1 max.:** 16 bar
- temperature range:** -10°C - +60°C
- bowl:** PC
- drain:** HA
- mounting:** vertical
- filter element:** 0,3 μm
- particle separation:** > 0,3 μm 99,999%

accessories



mounting bracket: [ZW.33-1](#)

differential pressure display



differential pressure gauge:
[DM 2](#)

type	part-number	description
FV.33 HA4	9.1333.901	Prefilter G1/2 0,3μm with PC bowl and semi automatic drain
FV.33 AM10	9.1333.902	Prefilter G1/2 0,3μm with PC bowl and automatic drain
FV.33 HA4 B	9.1333.904	Prefilter G1/2 0,3μm with PC bowl, bowl guard and semi automatic drain
FV.33 H HA3	9.1333.916	Prefilter G1/2 0,3μm with metal bowl/visual display and semi automatic drain
FV.33 H AM10	9.1333.917	Prefilter G1/2 0,3μm with metal bowl/visual display and automatic drain