

Prefilter | BG3

Service 3 unit

Service 2 unit



Image shows:
9.1333.914

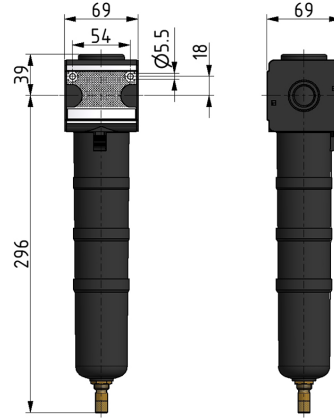
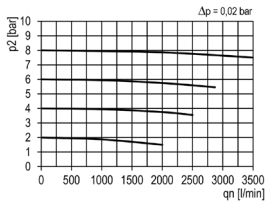


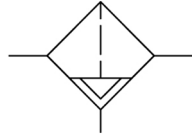
Image shows:
9.1333.914

Filter regulator

flow characteristic



symbol



Filter

Pressure regulator

technical data

description: prefilter
medium: compressed air, neutral gases
supply pressure P1 min.: 1,5 bar
supply pressure P1 max.: 16 bar
temperature range: -10°C - +60°C
bowl: metal bowl
drain: AM NO
mounting: vertical
filter element: 0,3 µm
particle separation: > 0,3 µm 99,999%

accessories



mounting bracket: [ZW.33-1](#)



differential pressure gauge:
[DM.2](#)

differential pressure display

Lubricator

System extensions

Accessories

type	part-number	description
FV.33 M AM10	9.1333.914	Prefilter G1/2 0,3µm with metal bowl and automatic drain

Special products