

Prefilter | BG4



Image shows:
9.1344.904

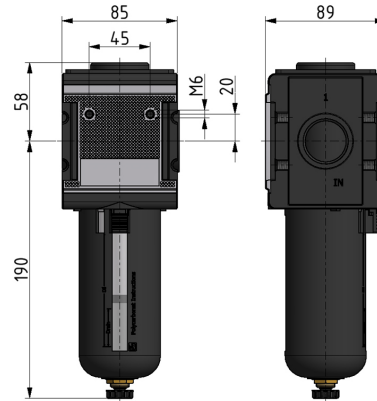
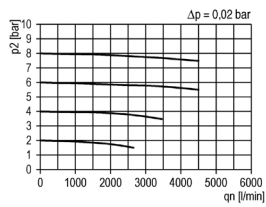
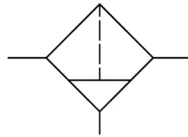


Image shows:
9.1344.904

flow characteristic



symbol



technical data

- **description:** prefilter
- **medium:** compressed air, neutral gases
- **supply pressure P1 min.:** 1,5 bar
- **supply pressure P1 max.:** 16 bar
- **temperature range:** -10°C - +60°C
- **bowl:** PC with PA bowl guard
- **drain:** HA3
- **mounting:** vertical
- **filter element:** 0,3 µm
- **particle separation:** > 0,3 µm 99,999%

accessories



- mounting bracket: [ZW.45](#)



- differential pressure display

- differential pressure gauge: [DM.2](#)

type	part-number	description
FV.44 HA3 B	9.1344.904	Prefilter G3/4 0,3µm with PC bowl, bowl guard and semi automatic drain
FV.44 AM10 B	9.1344.905	Prefilter G3/4 0,3µm with PC bowl, bowl guard and automatic drain
FV.44 H HA3	9.1344.916	Prefilter G3/4 0,3µm with metal bowl/visual display and semi automatic drain
FV.44 H AM10	9.1344.917	Prefilter G3/4 0,3µm with metal bowl/visual display and automatic drain
FV.45 HA3 B	9.1345.904	Prefilter G1 0,3µm with PC bowl, bowl guard and semi automatic drain
FV.45 AM10 B	9.1345.905	Prefilter G1 0,3µm with PC bowl, bowl guard and automatic drain
FV.45 H HA3	9.1345.916	Prefilter G1 0,3µm with metal bowl/visual display and semi automatic drain
FV.45 H AM10	9.1345.917	Prefilter G1 0,3µm with metal bowl/visual display and automatic drain

Service 3 unit

Service 2 unit

Filter regulator

Filter

Pressure regulator

Lubricator

System extensions

Accessories

Special products