

Prefilter | BG5



Image shows:
9.1354.00.914

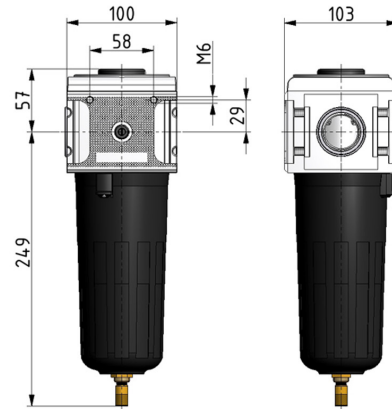
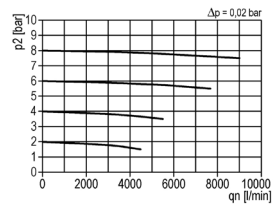
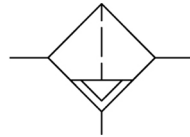


Image shows:
9.1354.00.914

flow characteristic



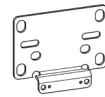
symbol



technical data

- description:** prefilter
- medium:** compressed air, neutral gases
- supply pressure P1 min.:** 1,5 bar
- supply pressure P1 max.:** 16 bar
- temperature range:** -10°C - +60°C
- bowl:** metal bowl
- drain:** AM NO
- mounting:** vertical
- filter element:** 0,3 μm
- particle separation:** > 0,3 μm 99,999%

accessories



mounting bracket: [ZW.55](#)

differential pressure display



differential pressure gauge: [DM.2](#)

type

FV.54 M AM10

part-number

9.1354.00.914

description

Prefilter G3/4 0,3μm with metal bowl and automatic drain

Service 3 unit

Service 2 unit

Filter regulator

Filter

Pressure regulator

Lubricator

System extensions

Accessories

Special products