

Prefilter | BG5



Image shows:
9.1355.00.914

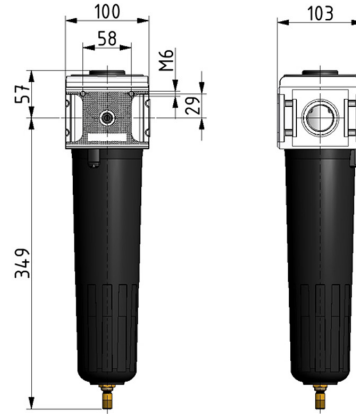
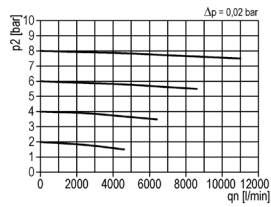
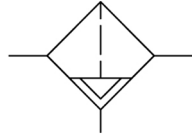


Image shows:
9.1355.00.914

flow characteristic



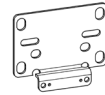
symbol



technical data

description: prefilter
medium: compressed air, neutral gases
supply pressure P1 min.: 1,5 bar
supply pressure P1 max.: 16 bar
temperature range: -10°C - +60°C
bowl: metal bowl
drain: AM NO
mounting: vertical
filter element: 0,3 µm
particle separation: > 0,3 µm 99,999%

accessories



mounting bracket: [ZW.55](#)

differential pressure display



differential pressure gauge: [DM.2](#)

type

FV.55 M AM10

part-number

9.1355.00.914

description

Prefilter G1 0,3µm with metal bowl and automatic drain

Service 3 unit

Service 2 unit

Filter regulator

Filter

Pressure regulator

Lubricator

System extensions

Accessories

Special products