

Finefilter | BGO



Image shows:
9.1300.00.050

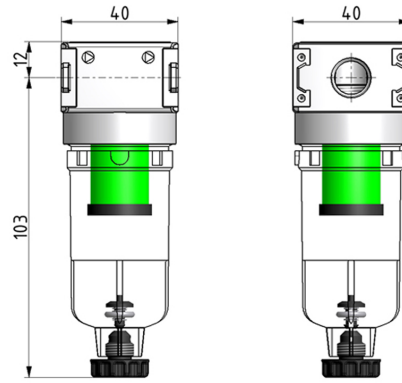
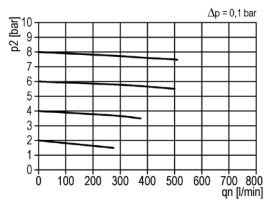
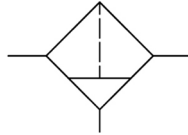


Image shows:
9.1300.00.050

flow characteristic



symbol



technical data

- **description:** finefilter
- **medium:** compressed air, neutral gases
- **supply pressure P1 min.:** 1,5 bar
- **supply pressure P1 max.:** 16 bar
- **temperature range:** -10°C - +60°C
- **bowl:** PC
- **drain:** HA
- **mounting:** vertical
- **filter element:** 0,01 μm
- **particle separation:** > 0,01 μm 99,999%
- **residual oil concent:** 0,01 mg/m³

accessories



- **coupling kit wall mounting:**
[ZW.00-1](#)

	type	part-number	description
Service 3 unit	FX.00 HA4	9.1300.00.050	Finefilter G1/8 0,01µm (element X23/35) with PC bowl and semi automatic drain
	FX.00 AM10	9.1300.00.054	Finefilter G1/8 0,01µm (element X23/40) with PC bowl and automatic drain
	FX.00 M HA4	9.1300.00.055	Finefilter G1/8 0,01µm (element X23/40) with metal bowl and semi automatic drain
Service 2 unit	FX.00 M AM10	9.1300.00.056	Finefilter G1/8 0,01µm (element X23/35) with metal bowl and automatic drain
	FX.01 HA4 B	9.1301.00.051	Finefilter G1/4 0,01µm (element X23/40) with PC bowl, bowl guard and semi automatic drain
	FX.01 AM10	9.1301.00.054	Finefilter G1/4 0,01µm (element X23/40) with PC bowl and automatic drain
	FX.01 M HA4	9.1301.00.055	Finefilter G1/4 0,01µm (element X23/35) with metal bowl and semi automatic drain

Service 3 unit

Service 2 unit

Filter regulator

Filter

Pressure regulator

Lubricator

System extensions

Accessories

Special products