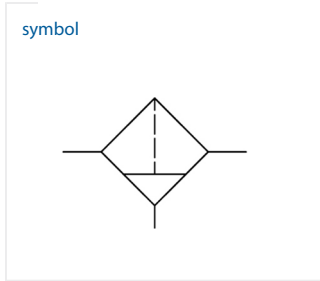
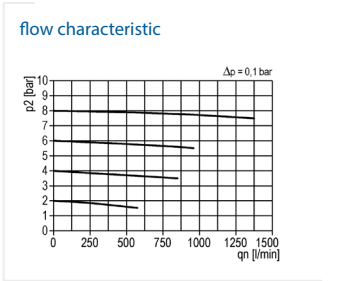
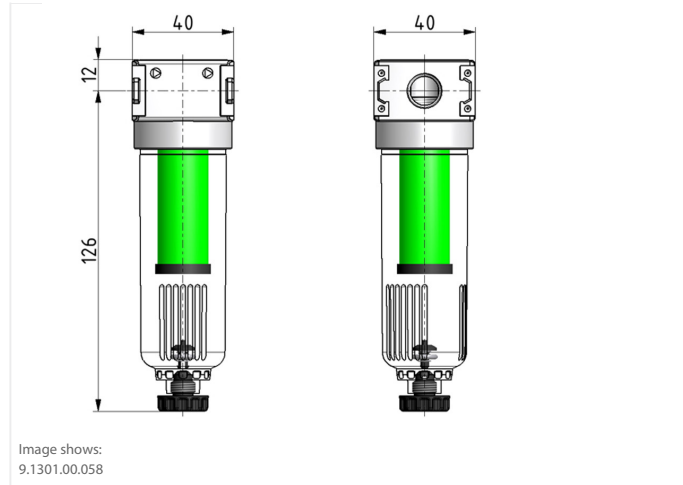


Finefilter | BG0



technical data

description: finefilter
medium: compressed air, neutral gases
supply pressure P1 min.: 1,5 bar
supply pressure P1 max.: 16 bar
temperature range: -10°C - +60°C
bowl: PC
drain: HA
mounting: vertical
filter element: 0,01 µm
particle separation: > 0,01 µm 99,999%
residual oil concent: 0,01 mg/m³

accessories

coupling kit wall mounting:
[ZW.00-1](#)

type	part-number	description
FX.01 HA4	9.1301.00.058	Finefilter G1/4 0,01µm (element X23/60) with PC bowl and semi automatic drain

- Service 3 unit
- Service 2 unit
- Filter regulator
- Filter**
- Pressure regulator
- Lubricator
- System extensions
- Accessories
- Special products